

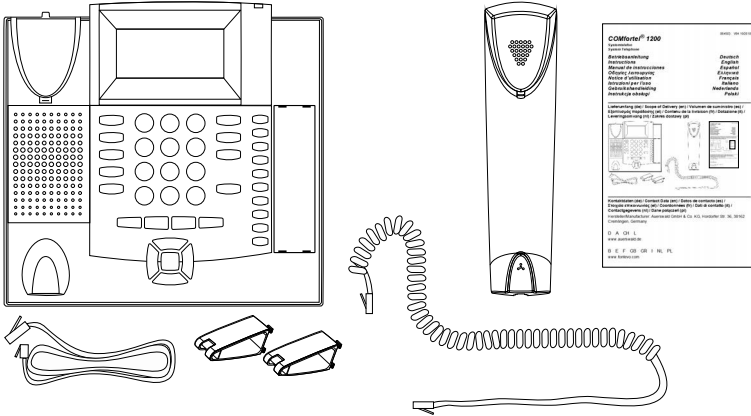
**COMfortel® 1200**

Systemtelefon  
System Telephone

**Betriebsanleitung**  
**Instructions**  
**Manual de instrucciones**  
**Οδηγίες λειτουργίας**  
**Notice d'utilisation**  
**Istruzioni per l'uso**  
**Gebruikshandleiding**  
**Instrukcja obsługi**

**Deutsch**  
**English**  
**Español**  
**Ελληνικά**  
**Français**  
**Italiano**  
**Nederlands**  
**Polski**

**Lieferumfang (de) / Scope of Delivery (en) / Volumen de suministro (es) / Εξοπλισμός παράδοσης (el) / Contenu de la livraison (fr) / Dotazione (it) / Leveringsomvang (nl) / Zakres dostawy (pl)**



**Kontakt Daten (de) / Contact Data (en) / Datos de contacto (es) / Στοιχεία επικοινωνίας (el) / Coordonnées (fr) / Dati di contatto (it) / Contactgegevens (nl) / Dane połączeń (pl)**

Hersteller/Manufacturer: Auerswald GmbH & Co. KG, Hordorfer Str. 36, 38162 Cremlingen, Germany

D A C H L  
www.auerswald.de

B E F G R I N L P L U K  
www.fontevo.com

## Anleitungen (de) / Manuals (en) / Instrucciones (es) / Οδηγίες χρήσης (el) / Notices (fr) / Guide (it) / Handleidingen (nl) / Instrukcje (pl)

Die Anleitung „Erweiterte Informationen“ finden Sie im COMfortel Set und auf unserer Internetseite. Die Kurzanleitung finden Sie auf unserer Internetseite. Nach einem Firmware-Update benötigen Sie ggf. aktualisierte Anleitungen. Diese finden Sie auf unserer Internetseite.	de
You will find the "Advanced Information" manuals in the COMfortel Set software and on our website. You will find the Quick Guide on our website. After a firmware update you usually require a new version of the instructions. You will find this on our website.	en
Encontrará las instrucciones del apartado "Advanced Information" en COMfortel Set y en nuestra página web. En nuestra página web encontrará la Guía rápida. Después de efectuar una actualización del firmware es posible que necesite descargar una copia actualizada de las instrucciones. La encontrará en nuestra página web.	es
Οι οδηγίες χρήσης "Advanced Information" υπάρχουν στο COMfortel Set και στο διαδίκτυο. Οι συνοπτικές οδηγίες χρήσης υπάρχουν στο διαδίκτυο. Μετά την ενημέρωση του υλικολογισμικού θα χρειαστείτε ενδ. ενημερωμένες οδηγίες χρήσης. Μπορείτε να τις βρείτε στο διαδίκτυο.	el
La notice « Advanced Information » est disponible dans le COMfortel Set ainsi que sur notre site Internet. Vous trouverez la notice abrégée sur notre site Internet. Après une mise à jour de la version du logiciel, vous aurez besoin de notices actualisées. Elles sont disponibles sur notre site Internet.	fr
La guida "Advanced Information" è disponibile in COMfortel Set e sul nostro sito web. La guida rapida è disponibile sul nostro sito web. Dopo un aggiornamento del firmware possono servire guide aggiornate. Queste sono disponibili sul nostro sito web.	it
De handleiding "Advanced Information" vindt u in de COMfortel Set van de telefoon en op onze internetpagina. Een korte handleiding vindt u op onze internetpagina. Na een firmware-update heeft u evt. geactualiseerde handleidingen nodig. Deze vindt u op onze internetpagina.	nl
Instrukcja „Advanced Information” znajduje się w COMfortel Set i na naszej stronie internetowej. Skrócona instrukcja znajduje się na naszej stronie internetowej. Po zaktualizowaniu oprogramowania wewnętrznego mogą być ewentualnie potrzebne zaktualizowane instrukcje. Można je znaleźć na naszej stronie internetowej.	pl

## Copyright

© Auerswald GmbH & Co. KG, 38162 Cremlingen, Germany, 2022

## Licenses

The software included in this product contains also copyrighted software that is licensed under various licences. A copy of these licences is included in this document.

### Apache License

Version 2.0, January 2004

Android Ring Tones

Copyright (c) 2009 Android Open Source Project

Licensed under the Apache License, Version 2.0 (the "License"), you may not use this file except in compliance with the License. You may obtain a copy of the License at <http://www.apache.org/licenses/LICENSE-2.0>. Unless required by applicable law or agreed to in writing, software distributed under the License is distributed on an "AS IS" BASIS, WITHOUT WARRANTIES OR CONDITIONS OF ANY KIND, either express or implied. See the License for the specific language governing permissions and limitations under the License.

### BSD License

Newlib sources licensed using BSD 3-clause license

Sources from the following contributors in the newlib subdirectory are licensed using the BSD 3-clause license:

(2) University of California, Berkeley. Copyright (c) 1981-2000 The Regents of the University of California. All rights reserved.

(11) Christopher G. Demetriadou. Copyright (c) 2001 Christopher G. Demetriadou. All rights reserved.

(13) Royal Institute of Technology. Copyright (c) 1999 Kungliga Tekniska Högskolan (Royal Institute of Technology, Stockholm, Sweden). All rights reserved.

(19) Todd C. Miller. Copyright (c) 1998 Todd C. Miller <Todd.Miller@courtesan.com>. All rights reserved.

(35) ARM Ltd (arm and thumb variant targets only). Copyright (c) 2009 ARM Ltd. All rights reserved.

The BSD 3-clause license

Copyright (c) <YEAR>, <OWNER> All rights reserved.

Redistribution and use in source and binary forms, with or without modification, are permitted provided that the following conditions are met:

\* Redistributions of source code must retain the above copyright notice, this list of conditions and the following disclaimer.

\* Redistributions in binary form must reproduce the above copyright notice, this list of conditions and the following disclaimer in the documentation and/or other materials provided with the distribution.

\* Neither the name of the <ORGANIZATION> nor the names of its contributors may be used to endorse or promote products derived from this software without specific prior written permission.

THIS SOFTWARE IS PROVIDED BY THE COPYRIGHT HOLDERS AND CONTRIBUTORS "AS IS" AND ANY EXPRESS OR IMPLIED WARRANTIES, INCLUDING, BUT NOT LIMITED TO, THE IMPLIED WARRANTIES OF MERCHANTABILITY AND FITNESS FOR A PARTICULAR PURPOSE ARE DISCLAIMED. IN NO EVENT SHALL THE COPYRIGHT HOLDER OR CONTRIBUTORS BE LIABLE FOR ANY DIRECT, INDIRECT, INCIDENTAL, SPECIAL, EXEMPLARY, OR CONSEQUENTIAL DAMAGES (INCLUDING, BUT NOT LIMITED TO, PROCUREMENT OF SUBSTITUTE GOODS OR SERVICES; LOSS OF USE, DATA, OR PROFITS, OR BUSINESS INTERRUPTION) HOWEVER CAUSED AND ON ANY THEORY OF LIABILITY, WHETHER IN CONTRACT, STRICT LIABILITY, OR TORT (INCLUDING NEGLIGENCE OR OTHERWISE) ARISING IN ANY WAY OUT OF THE USE OF THIS SOFTWARE, EVEN IF ADVISED OF THE POSSIBILITY OF SUCH DAMAGE.

Newlib sources licensed using BSD 2-clause license

Sources from the following contributors in the newlib subdirectory are licensed using the BSD 2-clause license:

(14) Alexey Zalkin. Copyright (c) 2000, 2001 Alexey Zalkin <zhartom@FreeBSD.org>. All rights reserved.

(15) Andrey A. Chernov. Copyright (C) 1997 by Andrey A. Chernov, Moscow, Russia. All rights reserved.

(16) FreeBSD. Copyright (c) 1997-2002 FreeBSD Project. All rights reserved.

(18) Citrus Project. Copyright (c) 1999 Citrus Project. All rights reserved.

(27) Konstantin Chuguev (-enable-newlib-iconv). Copyright (c) 1999, 2000 Konstantin Chuguev. All rights reserved.

(28) Artem Bityuckiy (-enable-newlib-iconv). Copyright (c) 2003, Artem B. Bityuckiy, SoftMine Corporation. Rights transferred to Franklin Electronic Publishers.

(26) Mike Barcott. Copyright (c) 2001 Mike Barcott <mike@FreeBSD.org>. All rights reserved.

(30) - Alex Tamtjanants (targets using libcopix). Copyright (c) 1996 Alex Tamtjanants <alex@elvisit.kiev.ua> at Electronni Visti IA, Kiev, Ukraine. All rights reserved.

(31) - M. Warner Losh (targets using libcopix). Copyright (c) 1998, M. Warner Losh <imp@freebsd.org>. All rights reserved.

(32) - Andrey A. Chernov (targets using libcopix). Copyright (C) 1996 by Andrey A. Chernov, Moscow, Russia. All rights reserved.

(33) - Daniel Eschen (targets using libcopix). Copyright (c) 2001 Daniel Eschen <dschen@FreeBSD.org>. All rights reserved.

The BSD 2-clause license

Copyright (c) <YEAR>, <OWNER> All rights reserved.

Redistribution and use in source and binary forms, with or without modification, are permitted provided that the following conditions are met:

- Redistributions of source code must retain the above copyright notice, this list of conditions and the following disclaimer.

- Redistributions in binary form must reproduce the above copyright notice, this list of conditions and the following disclaimer in the documentation and/or other materials provided with the distribution.

THIS SOFTWARE IS PROVIDED BY THE COPYRIGHT HOLDERS AND CONTRIBUTORS "AS IS" AND ANY EXPRESS OR IMPLIED WARRANTIES, INCLUDING, BUT NOT LIMITED TO, THE IMPLIED WARRANTIES OF MERCHANTABILITY AND FITNESS FOR A PARTICULAR PURPOSE ARE DISCLAIMED. IN NO EVENT SHALL THE COPYRIGHT HOLDER OR CONTRIBUTORS BE LIABLE FOR ANY DIRECT, INDIRECT, INCIDENTAL, SPECIAL, EXEMPLARY, OR CONSEQUENTIAL DAMAGES (INCLUDING, BUT NOT LIMITED TO, PROCUREMENT OF SUBSTITUTE GOODS OR SERVICES; LOSS OF USE, DATA, OR PROFITS, OR BUSINESS INTERRUPTION) HOWEVER CAUSED AND ON ANY THEORY OF LIABILITY, WHETHER IN CONTRACT, TORT OR OTHERWISE (INCLUDING NEGLIGENCE OR OTHERWISE) ARISING IN ANY WAY OUT OF THE USE OF THIS SOFTWARE, EVEN IF ADVISED OF THE POSSIBILITY OF SUCH DAMAGE.

## Deja Vu License

Fonts are © Bitstream (see below). DejaVu changes are in public domain. Explanation of copyright is on Gnome page on Bitstream Vera fonts. Glyphs imported from Arev fonts are © Tavmjong Bah (see below)

Bitstream Vera Fonts Copyright

Copyright (c) 2003 by Bitstream, Inc. All Rights Reserved. Bitstream Vera is a trademark of Bitstream, Inc.

Permission is hereby granted, free of charge, to any person obtaining a copy of the fonts accompanying this license ("Fonts") and associated documentation files (the "Font Software"), to reproduce and distribute the Font Software, including without limitation the rights to use, copy, merge, publish, distribute, and/or sell copies of the Font Software, and to permit persons to whom the Font Software is furnished to do so, subject to the following conditions: The above copyright and trademark notices and this permission notice shall be included in all copies of one or more of the Font Software typefaces.

The Font Software may be modified, altered, or added to, and in particular the designs of glyphs or characters in the Fonts may be modified and additional glyphs or characters may be added to the Fonts, only if the fonts are renamed to names not containing either the words "Bitstream" or the word "Vera".

This license becomes null and void to the extent applicable to Fonts or Font Software that has been modified and is distributed under the "Bitstream Vera" names.

The Font Software may be sold as part of a larger software package but no copy of one or more of the Font Software typefaces may be sold by itself.

THE FONT SOFTWARE IS PROVIDED "AS IS", WITHOUT WARRANTY OF ANY KIND, EXPRESS OR IMPLIED, INCLUDING BUT NOT LIMITED TO ANY WARRANTIES OF MERCHANTABILITY, FITNESS FOR A PARTICULAR PURPOSE AND NONINFRINGEMENT OF COPYRIGHT, PATENT, TRADEMARK, OR OTHER RIGHT. IN NO EVENT SHALL BITSTREAM OR THE GNOME FOUNDATION BE LIABLE FOR ANY CLAIM, DAMAGES OR OTHER LIABILITY, INCLUDING ANY GENERAL, SPECIAL, INDIRECT, INCIDENTAL, OR CONSEQUENTIAL DAMAGES, WHETHER IN AN ACTION OF CONTRACT, TORT OR OTHERWISE, ARISING FROM, OUT OF THE USE OR INABILITY TO USE THE FONT SOFTWARE OR FROM OTHER DEALINGS IN THE FONT SOFTWARE.

Except as contained in this notice, the names of Gnome, the Gnome Foundation, and Bitstream Inc., shall not be used in advertising or otherwise to promote the sale, use or other dealings in this Font Software without prior written authorization from the Gnome Foundation or Bitstream Inc., respectively. For further information, contact: fonts at gnome dot org.

Arev Fonts Copyright

Copyright (c) 2006 by Tavmjong Bah. All Rights Reserved.

Permission is hereby granted, free of charge, to any person obtaining a copy of the fonts accompanying this license ("Fonts") and associated documentation files (the "Font Software"), to reproduce and distribute the modifications to the Bitstream Vera Font Software, including without limitation the rights to use, copy, merge, publish, distribute, and/or sell copies of the Font Software, and to permit persons to whom the Font Software is furnished to do so, subject to the following conditions:

The above copyright and trademark notices and this permission notice shall be included in all copies of one or more of the Font Software typefaces.

The Font Software may be modified, altered, or added to, and in particular the designs of glyphs or characters in the Fonts may be modified and additional glyphs or characters may be added to the Fonts, only if the fonts are renamed to names not containing either the words "Tavmjong Bah" or the word "Arev".

This license becomes null and void to the extent applicable to Fonts or Font Software that has been modified and is distributed under the "Tavmjong Bah Arev" names.

The Font Software may be sold as part of a larger software package but no copy of one or more of the Font Software typefaces may be sold by itself.

THE FONT SOFTWARE IS PROVIDED "AS IS", WITHOUT WARRANTY OF ANY KIND, EXPRESS OR IMPLIED, INCLUDING BUT NOT LIMITED TO ANY WARRANTIES OF MERCHANTABILITY, FITNESS FOR A PARTICULAR PURPOSE AND NONINFRINGEMENT OF COPYRIGHT, PATENT, TRADEMARK, OR OTHER RIGHT. IN NO EVENT SHALL TAVMJONG BAH BE LIABLE FOR ANY CLAIM, DAMAGES OR OTHER LIABILITY, INCLUDING ANY GENERAL, SPECIAL, INDIRECT, INCIDENTAL, OR CONSEQUENTIAL DAMAGES, WHETHER IN AN ACTION OF CONTRACT, TORT OR OTHERWISE, ARISING FROM, OUT OF THE USE OR INABILITY TO USE THE FONT SOFTWARE OR FROM OTHER DEALINGS IN THE FONT SOFTWARE.

Except as contained in this notice, the name of Tavmjong Bah shall not be used in advertising or otherwise to promote the sale, use or other dealings in this Font Software without prior written authorization from Tavmjong Bah. For further information, contact: tavmjong @ free . fr.

## Freetype2-Library

Freetype credits

Portions of this software are copyright © 2014 The Free Type Project ([www.freetype.org](http://www.freetype.org)). All rights reserved.

## JPEG License

This software is based in part on the work of the Independent JPEG Group.

## Newlib License

The newlib subdirectory is a collection of software from several sources. Each file may have its own copyright/license that is embedded in the source file. Unless otherwise noted in the body of the source file(s), the following copyright notices will apply to the contents of the newlib subdirectory:

(1) Red Hat Incorporated. Copyright (c) 1994-2009 Red Hat, Inc. All rights reserved.

This copyright material is made available to anyone wishing to use, modify, copy, or redistribute it subject to the terms and conditions of the BSD License. This program is distributed in the hope that it will be useful, but WITHOUT ANY WARRANTY expressed or implied, including the implied warranties of MERCHANTABILITY or FITNESS FOR A PARTICULAR PURPOSE. A copy of this license is available at <http://www.opensource.org/licenses>. Any Red Hat trademarks that are incorporated in the source code or documentation are not subject to the BSD License and may only be used or replicated with the express permission of Red Hat, Inc.

The author of this software is David M. Gay.

Copyright (C) 1998-2001 by Lucent Technologies. All Rights Reserved

Permission to use, copy, modify, and distribute this software and its documentation for any purpose and without fee is hereby granted, provided that the above copyright notice appear in all copies and that both the copyright notice and this permission notice and warranty disclaimer appear in supporting documentation, and that the name of Lucent or any of its entities not be used in advertising or publicity pertaining to distribution of the software without specific, written prior permission.

LUCENT DISCLAIMS ALL WARRANTIES WITH REGARD TO THIS SOFTWARE, INCLUDING ALL IMPLIED WARRANTIES OF MERCHANTABILITY AND FITNESS. IN NO EVENT SHALL LUCENT OR ANY OF ITS ENTITIES BE LIABLE FOR ANY SPECIAL, INDIRECT OR CONSEQUENTIAL DAMAGES OR ANY DAMAGES WHATSOEVER RESULTING FROM LOSS OF USE, DATA OR PROFITS, WHETHER IN AN ACTION OF CONTRACT, NEGLIGENCE OR OTHER TORTIOUS ACTION, ARISING OUT OF OR IN CONNECTION WITH THE USE OR PERFORMANCE OF THIS SOFTWARE.

(2) David M. Gay (AT&T 1991, Lucent 1998). The author of this software is David M. Gay. Copyright (c) 1991 by AT&T.

Permission to use, copy, modify, and distribute this software for any purpose without fee is hereby granted, provided that this entire notice is included in all copies of any software which is or includes a copy or modification of this software and in all copies of the supporting documentation for such software.

THIS SOFTWARE IS BEING PROVIDED "AS IS", WITHOUT ANY EXPRESS OR IMPLIED WARRANTY. IN PARTICULAR, THE AUTHOR MAKES NO REPRESENTATION OR WARRANTY OF ANY KIND CONCERNING THE MERCHANTABILITY OF THIS SOFTWARE OR ITS FITNESS FOR ANY PARTICULAR PURPOSE.

(4) Advanced Micro Devices. Copyright 1989, 1990 Advanced Micro Devices, Inc. This software is the property of Advanced Micro Devices, Inc. (AMD) which specifically grants the user the right to modify, use and distribute this software provided this notice is not removed or altered. All other rights are reserved by AMD.

AMD MAKES NO WARRANTY OF ANY KIND, EXPRESS OR IMPLIED, WITH REGARD TO THIS SOFTWARE. IN NO EVENT SHALL AMD BE LIABLE FOR INCIDENTAL OR CONSEQUENTIAL DAMAGES IN CONNECTION WITH OR ARISING FROM THE FURNISHING, PERFORMANCE, OR USE OF THIS SOFTWARE.

So that all may benefit from your experience, please direct all problems or suggestions about this software to the 29K Technical Support Center at 800-299-AMID (800-292-9263) in the USA, or 0800-89-1131 in the UK, or 0031-11-2119 in Japan, toll free. The direct dial number is 512-462-4118.

Advanced Micro Devices, Inc. 29K Support Products, Mail Stop 573, 5900 E. Ben White Blvd., Austin, TX 78741, 800-292-9263

(7) Sun Microsystems. Copyright (c) 1993 by Sun Microsystems, Inc. All rights reserved.

Developed at SunPro, a Sun Microsystems, Inc. business.

Permission to use, copy, modify, and distribute this software is freely granted, provided that this notice is preserved.

(8) Hewlett Packard. (c) Copyright 1986 HEWLETT-PACKARD COMPANY

To anyone who acknowledges that this file is provided "AS IS" without any express or implied warranty, permission to use, copy, modify, and distribute this file for any purpose is hereby granted without fee, provided that the above copyright notice and this notice appears in all copies, and that the name of Hewlett-Packard Company not be used in advertising or publicity pertaining to distribution of the software without specific, written prior permission. Hewlett-Packard Company makes no representations about the suitability of this software for any purpose.

(9) Hans-Peter Nilsson. Copyright (C) 2001 Hans-Peter Nilsson

Permission to use, copy, modify, and distribute this software for any purpose without fee is hereby granted, provided that this entire notice is included in all copies of any software which is or includes a copy or modification of this software and in all copies of the supporting documentation for such software.

THIS SOFTWARE IS BEING PROVIDED "AS IS", WITHOUT ANY EXPRESS OR IMPLIED WARRANTY. IN PARTICULAR, THE AUTHOR MAKES NO REPRESENTATION OR WARRANTY OF ANY KIND CONCERNING THE MERCHANTABILITY OF THIS SOFTWARE OR ITS FITNESS FOR ANY PARTICULAR PURPOSE.

(17) S. L. Moshier. Author: S. L. Moshier. Copyright (c) 1984,2000 S. L. Moshier

Permission to use, copy, modify, and distribute this software for any purpose without fee is hereby granted, provided that this entire notice is included in all copies of any software which is or includes a copy or modification of this software and in all copies of the supporting documentation for such software.

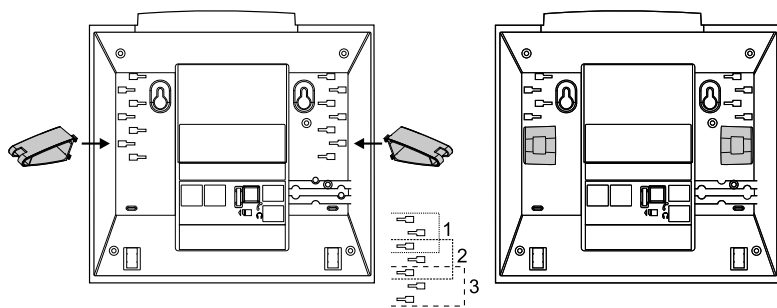
THIS SOFTWARE IS BEING PROVIDED "AS IS", WITHOUT ANY EXPRESS OR IMPLIED WARRANTY. IN PARTICULAR, THE AUTHOR MAKES NO REPRESENTATION OR WARRANTY OF ANY KIND CONCERNING THE MERCHANTABILITY OF THIS SOFTWARE OR ITS FITNESS FOR ANY PARTICULAR PURPOSE.

---

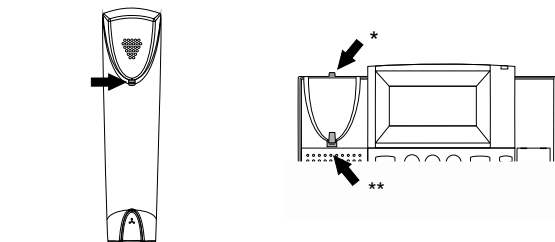
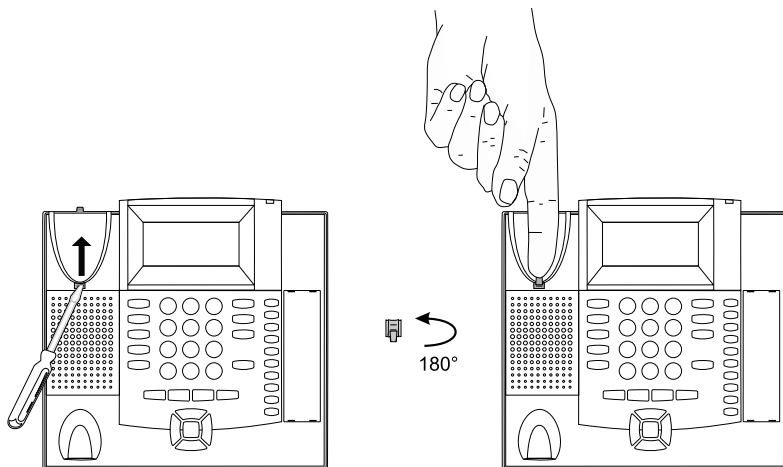
## Trademarks

Microsoft and Windows are registered trademarks of the Microsoft Corporation in the U.S.A. and/or other countries. Bitstream Vera Font © 2003 Bitstream, Inc. All rights reserved. Bitstream Vera is a trademark of Bitstream, Inc.. Arev Font © Tavmjong Bah. All rights reserved. All other trademarks mentioned are the property of the corresponding manufacturer. This product contains software which is based in part on the work of the Independent JPEG Group.

Tischgerät (de) / Desktop Device (en) / Instalación de sobremesa (es) / Επιτραπέζια συσκευή (el) / Appareil de bureau (fr) / Dispositivo da tavolo (it) / Tafelapparaat (nl) / Urządzenie do użytkowania na biurku (pl)



Wandgerät (de) / Wall-mounted Device (en) / Instalación mural (es) / Επίτοιχη συσκευή (el) / Appareil mural (fr) / Dispositivo da parete (it) / Wandapparaat (nl) / Urządzenie do użytkowania na ścianie (pl)



\* ablegen / \*\* auflegen

\* lay down receiver / \*\* hang up

\* dejar microteléfono / \*\* colgar

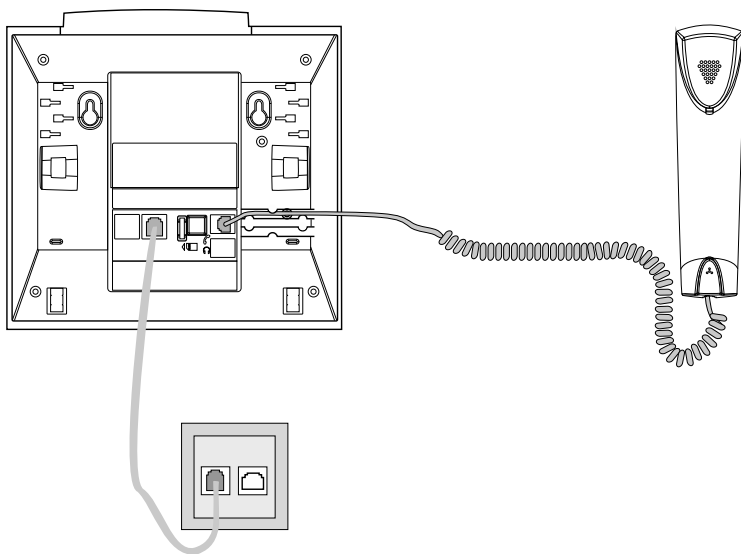
de

en

es

* απόθεση / ** κατέβασμα	el
* poser le combiné / ** raccrocher	fr
* appoggia / ** riaggancia	it
* neerleggen/ **ophangen	nl
* odkładanie / ** rozłączanie	pl

**Anschluss (de) / Connection (en) / Conexión (es) / Σύνδεση (el) / Raccordement (fr) / Collegamento (it) / Aansluiting (nl) / Przyłącze (pl)**



**Hörerbuchse (de) / Receiver Socket (en) / Conexión del microteléfono (es) / υποδοχή ακουστικού (el) / Connecteur écouteur (fr) / Presa del ricevitore (it) / Aansluiting headset (nl) / Gniezdzie słuchawki (pl)**

1	+	Mikrofon (de) / Microphone (en) / Micrófono (es) / Μικρόφωνο (el) / Microphone (fr) / Microfono (it) / Microfoon (nl) / Mikrofon (pl)
2	+	Lautsprecher (de) / Loudspeaker (en) / Altavoz (es) / Ηχείο (el) / Haut-parleur (fr) / Altoparlante (it) / Luidspreker (nl) / Głośnik (pl)
3	-	Lautsprecher (de) / Loudspeaker (en) / Altavoz (es) / Ηχείο (el) / Haut-parleur (fr) / Altoparlante (it) / Luidspreker (nl) / Głośnik (pl)
4	-	Mikrofon (de) / Microphone (en) / Micrófono (es) / Μικρόφωνο (el) / Microphone (fr) / Microfono (it) / Microfoon (nl) / Mikrofon (pl)

**Bohrschablone (de) / Drilling Template (en) / Plantilla para taladrar (es) / Σαμπλόνα διάτρησης (el) / Gabarit de perçage (fr) / Maschera per la foratura (it) / Boormal (nl) / Szablon wiercenia otworów (pl)**

7 mm (0,276")



2 x

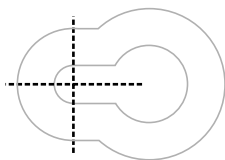
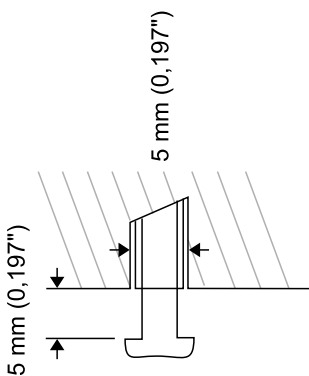
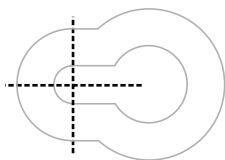
Nicht im Lieferumfang (de)  
Not included in the scope of delivery (en)  
No incluido (es)



2 x

Δεν περιλαμβάνεται στα παραδοτέα (el)  
Non compris à la livraison (fr)  
Non in dotazione (it)  
Niet bij de levering inbegrepen (nl)  
Nie znajduje się w zakresie dostawy (pl)

110 mm (4,331")



# Deutsch

## Wichtige Informationen

---

### Sicherheitshinweise



**Warnung:** Unsachgemäßer Umgang mit dem Gerät kann zu einem lebensgefährlichen elektrischen Schlag führen und das Gerät beschädigen oder zerstören.

- Lesen Sie die zum Gerät gehörenden Anleitungen und bewahren Sie diese auf.
- Schließen Sie die Anschlusskabel des Geräts nur an die dafür bestimmten und fachgerecht installierten Anschlussdosen an
- Verwenden Sie ausschließlich Originalzubehör und Originalersatzteile.



**Warnung:** Unvollständige oder fehlerhafte Einrichtung kann zur Gefährdung von Personen führen, z. B. aufgrund nicht durchführbarer Notrufe.

- Die Einrichtung des Produkts erfolgt über das Telefon oder über die Software COMfortel Set. Die zugehörige Hilfe ist in englischer oder deutscher Sprache vorhanden. Wenn Sie mit diesen Sprachen und den verwendeten Fachbegriffen nicht vertraut sind, ziehen Sie eine fachlich und sprachlich geeignete Fachkraft hinzu.



**Warnung:** In das Gehäuse eindringende Flüssigkeiten können zu einem lebensgefährlichen elektrischen Schlag führen und das Gerät beschädigen oder zerstören.

- Betreiben Sie das Telefon nur in geschlossenen, trockenen Räumen.
- Reinigen Sie das Gerät nur mit einem leicht feuchten Tuch oder einem Antistatiktuch.



**Warnung:** Beschädigte Anschlussleitungen sowie Beschädigungen am Gehäuse und am Gerät selbst können zu einem lebensgefährlichen elektrischen Schlag führen.

- Nehmen Sie ein beschädigtes Gerät nicht in Betrieb.



**Warnung:** Überspannungen, wie sie bei Gewitter auftreten, können zu einem lebensgefährlichen elektrischen Schlag führen oder das Gerät beschädigen oder zerstören.

- Verzichten Sie während eines Gewitters auf das Berühren des Gerätes.
- Lassen Sie von einer Elektrofachkraft alle Kabel innerhalb des Gebäudes verlegen.



**Warnung:** Ungeeignete Headsets, externe Lautsprecher oder Hörer können zu Gehörschäden führen oder die Sprachverbindung stören.

- Beachten Sie die technischen Daten zum Anschluss eines Headsets.



**Warnung:** Durch das schwache Magnetfeld im Hörer angezogene Objekte wie Nadeln und Büroklammern können zu Verletzungen führen.

- Legen Sie den Hörer nicht in die Nähe solcher Objekte.



**Warnung:** Erstickungsgefahr. Das Gerät enthält Kleinteile, die von Kleinkindern verschluckt werden können.

- Halten Sie das Gerät außerhalb der Reichweite von Kleinkindern

**Wichtig:** Das Gerät ist nicht dafür ausgelegt und sollte daher nicht für lebenserhaltende Systeme und/oder Anwendungen innerhalb nuklearer Einrichtungen eingesetzt werden. Einem Einsatz des Geräts für solche Anwendungen muss zwingend eine auf den Einzelfall zugeschnittene schriftliche Zustimmung/Erklärung des Herstellers vorausgehen.

Nicht bestimmungsgemäße Verwendung kann z. B. zu Funktionseinschränkungen oder Störungen, zur Zerstörung des Geräts oder schlimmstenfalls zur Gefährdung von Personen führen.

- Wenn Sie sich über die bestimmungsgemäße Verwendung auch nach dem Lesen des folgenden Kapitels nicht sicher sind, fragen Sie Ihren Fachhändler.
- Lesen Sie die zum Gerät gehörenden Anleitungen und bewahren Sie diese zum späteren Gebrauch auf.
- Für die Nutzung einiger Funktionen ist eine Freischaltung beim Netzbetreiber, ein Firmware-Update und/oder eine Einrichtung über COMfortel Set notwendig.

---

## Bestimmungsgemäße Verwendung

Systemtelefon zum Anschluss an den internen  $S_0$ - oder  $U_{P0}$ -Port einer TK-Anlage von Auerswald/FONtevo (siehe Technische Daten). Der Anschluss an eine TK-Anlage eines anderen Herstellers oder an den externen  $S_0$ -Anschluss eines Netzbetreibers ist nicht vorgesehen. Das Telefon ist schnurgebunden und für den Betrieb in geschlossenen, trockenen Räumen vorgesehen.

---

## Technische Daten

Betriebsspannung	Versorgung über internen $S_0$ - oder $U_{P0}$ -Port aus der TK-Anlage
Leistungsaufnahme	Min. 1,1 W, max. 2,0 W
Systemanschluss	Interner $S_0$ - oder $U_{P0}$ -Port der TK-Anlagen: COMpact 3000 analog/ISDN/VoIP, COMpact 2206 USB, COMpact 4410 USB, COMpact 5010 VoIP, COMpact 5020 VoIP, COMpact 4000, COMpact 5000/R, COMpact 5200/R, COMpact 5500R, COMmänder 6000/R/RX. COMmänder Basic 2/19", COMmänder Business/19"



Anzeigen	14 LEDs, 10 davon mehrfarbig, FSTN-Monochromdisplay, 128 x 64 Pixel, Hintergrundbeleuchtung
Bedienelemente	Wähltastatur, 13 Festfunktionstasten, Steuerkreuz, 10 programmierbare Funktionstasten mit LED (mit jeweils einer Funktion auf einer Ebene belegbar)
Hörer	Wideband Audio, Elektret-Mikrofon, dynamischer Hörerlautsprecher, hörgerätekompaktibel
Gabelumschalter	Magnetischer Schaltkontakt
Gehäuse	Kunststoff, schwarz
Abmessungen	223 mm x 148/158/168 mm x 185 mm (B x H x T)
Gewicht	Ca. 920 g
Temperatur	Betrieb: 0 bis 40 °C, Lagerung: - 30 bis + 70 °C, nicht kondensierend
Sicherheit	CE

---

### Technische Daten für den Anschluss eines analogen Headsets

Nur alternativ zum Hörer an der Hörerbuchse möglich. Eventuell ist ein Adapter erforderlich (z. B. für COMfortel Headset).

Stromaufnahme Mikrofon	Max. 0,5 mA
Empfindlichkeit Mikrofon	- 45 dB
Impedanz Lautsprecher	150 Ohm
Empfindlichkeit Lautsprecher bei 1 kHz	19,5 +/- 3 dBPa/V
Schallpegelgrenze	24 dBPa

---

### Umwelthinweise

Sollte das Gerät einmal ausgedient haben, achten Sie auf die fachgerechte Entsorgung (nicht in den normalen Hausmüll).



Entsorgen Sie das Verpackungsmaterial im Interesse des Umweltschutzes ordnungsgemäß.



Erkundigen Sie sich bei der Stadt- oder Gemeindeverwaltung nach Möglichkeiten einer umwelt- und sachgerechten Entsorgung des Geräts.

■ Wenn Sie möchten, dass wir Ihnen die Entsorgung abnehmen, senden Sie das Gerät auf Ihre Kosten an die Auerswald GmbH & Co. KG.

---

### Konformitätserklärung

Die Auerswald GmbH & Co. KG erklärt: Dieses Produkt entspricht den grundlegenden Gesundheits-, Sicherheits- und Umweltsicherungsanforderungen aller relevanten europäischen Richtlinien. Die Konformitätserklärung finden Sie unter: [www.auerswald.de/de/support/produkte](http://www.auerswald.de/de/support/produkte)

Wählen Sie dort das Produkt aus. Sie können die Konformitätserklärung dann unter „Dokumentationen“ herunterladen.

---

## Garantiebedingungen

1. Die Auerswald GmbH & Co. KG, Vor den Grashöfen 1, 38162 Cremlingen, Germany, gewährt als Hersteller auf dieses Produkt 24 Monate Herstellergarantie ab Kaufdatum.
2. Dies bedeutet für Sie als Verbraucher: Wir garantieren, dass unsere Geräte bei der Übergabe fehlerfrei sind und sorgen 24 Monate ab diesem Datum für eine kostenlose Reparatur oder liefern kostenfrei Ersatz, falls ein Herstellungsfehler auftritt und verzichten auf den durch Sie als Verbraucher zu führenden Nachweis wie bei der gesetzlichen Gewährleistung, dass dieser Fehler zum Zeitpunkt der Übergabe schon vorhanden war. Bei der Reparatur oder der Ersatzlieferung verwenden wir entweder neue oder neuwertige Teile. Dem Gerät evtl. entnommene Teile gehen in unser Eigentum über und dürfen vernichtet werden.
3. Neben dieser Garantie stehen dem Kunden in vollem Umfang die gesetzlichen Rechte aus der Mängelgewährleistung auf der Grundlage des Kaufvertrages gegenüber dem Lieferanten zu. Die gesetzliche Mängelgewährleistung betrifft aber im Gegensatz zu unserer Herstellergarantie nur die Beschaffenheit zum Zeitpunkt des Verkaufs (Übergabe).
4. Sie können diese Garantie nur in Anspruch nehmen, wenn Sie das fehlerhafte Gerät mit einem eindeutigen Kaufbeleg (Rechnung oder Kassenbeleg) auf Ihre Kosten an die Auerswald GmbH & Co. KG bzw. außerhalb Deutschlands an unseren Generalimporteur oder Distributor vor Ort einsenden. Fügen Sie dieser Einsendung bitte eine ausführliche Fehlerbeschreibung bei und geben Sie bitte auch für eventuelle Nachfragen Ihre Telefonnummer an. Um Transportschäden zu vermeiden, sorgen Sie bitte für eine geeignete Transportverpackung (z. B. Originalverpackung mit Umkarton).
5. Ausgeschlossen von der Herstellergarantie sind Schäden, die durch unsachgemäße Behandlung, Bedienungsfehler, Missbrauch, äußere Einflüsse, Blitzschlag/Überspannung, Veränderungen des Produkts sowie Anbauten entstehen. Des Weiteren ausgeschlossen sind Verschleißteile (z. B. Batterien, Sicherungen, Akkus, Speicherkarten), sowie durch Verschleißteile entstandene Schäden (z. B. durch das Auslaufen von Batterien). Ebenfalls ausgeschlossen sind Transportschäden, Folgeschäden, Kosten für Ausfall- und Wegezeiten.
6. Die Garantie erlischt bei Reparaturen durch nicht autorisierte Stellen.

## Erstinbetriebnahme

Schließen Sie das Telefon wie in der Abbildung unter **Anschluss** gezeigt an.

---

## Ersteinrichtung über das Telefon

Voraussetzungen:

- An der TK-Anlage eingerichtete interne Rufnummer

Folgen Sie den Anweisungen im Telefon.

---

**Hinweis:** Die MSN ist die in der TK-Anlage eingerichtete interne Rufnummer.

---

---

## Einrichtung über COMfortel Set

Voraussetzungen:

- Java Runtime installiert (finden Sie auf unserer Internetseite)
- COMfortel Set installiert (finden Sie auf unserer Internetseite)
- Bestehende Verbindung des PCs zu einer PC-Schnittstelle der TK-Anlage (siehe Anleitung der TK-Anlage)

1. Starten Sie das Programm.
2. Wählen Sie unter **Optionen > Schnittstelle** die von Ihnen verwendete Schnittstelle aus (z. B. **IP-Netzwerk** bei Verbindung des PCs mit der TK-Anlage über das lokale Netzwerk).

3. Klicken Sie auf **Öffnen** > **Telefon** und wählen Sie das betreffende Telefon aus.
4. Geben Sie die PIN ein.
5. Nehmen Sie die gewünschten Einstellungen vor.
6. Sichern Sie die Konfiguration anschließend in das Telefon. Klicken Sie dazu nacheinander auf **Datei** > **Speichern** > **Telefon**.

# English

## Important Information

---

### Safety Information



**Warning:** Handling the device improperly can cause a life-threatening electrical shock, or damage or destroy the device.

- Read the manuals for the device and keep them for future reference.
- Only connect the device's connection cables to wall sockets that are designed for that purpose, and that have been properly installed.
- Only use original accessories and original replacement parts.



**Warning:** Incomplete or incorrect configuration can create a personal hazard e.g. because emergency calls cannot be made.

- The product is configured using the telephone or the COMfortel Set software. The associated help is provided in English or German. If you are not familiar with these languages, and the technical terms that are used, seek support from someone who has the necessary technical and language skills.



**Warning:** Any liquid that penetrates the casing can result in a life-threatening electric shock or can damage or destroy the telephone.

- Only operate the telephone in closed, dry rooms.
- Only clean the device with a soft damp cloth or an anti-static cloth.



**Warning:** Damaged connecting cables, or damage to the casing or the device, can cause life-threatening electrical shocks.

- Never use a damaged device.



**Warning:** Power surges, which can occur during electrical storms, can cause life-threatening electric shocks or damage/destroy the device.

- Do not touch the device during an electrical storm.
- Arrange for a qualified electrician to install all the cables inside the building.



**Warning:** Non-approved headsets, external loudspeakers, or receivers, may cause hearing damage or interfere with the voice connection.

- Note the technical information about connecting a headset.



**Warning:** Objects attracted by the weak magnetic field in the receiver, such as needles and paper clips, can cause injuries.

- To avoid injuries, do not put the receiver down close to such objects.



**Warning:** Danger of suffocation. The device contains small parts which infants or small children might swallow.

- Keep the device out of reach of children.

**Important:** The device is not designed or intended for use in life-support systems and/or nuclear facilities. The device can only be used for these purposes with prior written permission/clarification from the manufacturer in each individual case.

Improper use may, for example, cause functional restrictions or malfunctions, the destruction of the device or, in a worst case scenario, personal injury.

- If you are still uncertain about how to use the product properly after reading the section below, please contact your specialised dealer.
- Read the manuals for the device and keep them for future reference.
- Some of the functions require activation by the network provider, a firmware update and/or configuration via COMfortel Set.

---

## Proper Use

System telephone for connection to the internal S<sub>0</sub> or U<sub>P0</sub> port on a PBX supplied by Auerswald/FONtevo (see Technical Data). There is no provision for connecting to another manufacturer's PBX or to a network provider's external S<sub>0</sub> connection. The telephone is corded and is intended for use in closed, dry rooms.

---

## Technical Data

Operating voltage	Power from the PBX via the internal S <sub>0</sub> or U <sub>P0</sub> port
Power consumption	Min. 1.1 W, max. 2.0 W
System connection	Internal S <sub>0</sub> port or U <sub>P0</sub> port from one of the following PBXs: COMpact 3000 analog/ISDN/VoIP, COMpact 2206 USB, COMpact 4410 USB, COMpact 5010 VoIP, COMpact 5020 VoIP, COMpact 4000, COMpact 5000/R, COMpact 5200/R, COMpact 5500R, COMmander 6000/R/RX, COMmander Basic 2/19", COMmander Business/19"
Displays	14 LEDs, 10 are polychromatic. FSTN monochrome display, 128 x 64 pixels, backlight
User elements	Keypad, 13 permanently assigned function keys, directional pad, 10 programmable function keys with LEDs (on which one function can be assigned on one level)
Receiver	Wideband audio, electret microphone, dynamic receiver loudspeaker, hearing aid compatible
Hook key	Magnetic switch contact
Casing	Plastic material, black
Dimensions	223 mm x 148/158/168 mm x 185 mm (W x H x D)
Weight	Approx. 920 g

Temperature	Operation: 0 to 40 °C, storage: - 30 to + 70 °C, non-condensing
Security	CE

---

### Technical Data for Analogue Headset Connections

Only possible as an alternative to the receiver on the receiver socket. An adapter may be necessary (e. g. for COMfortel Headset).

Microphone current consumption	Max. 0.5 mA
Microphone sensitivity	- 45 dB
Loudspeaker impedance	150 Ohm
Loudspeaker sensitivity at 1 kHz	19.5 +/- 3 dBPa/V
Sound level threshold	24 dBPa

---

### Environmental Notices

If you want to dispose of the device, please ensure its professional disposal. Do not put it in the normal household waste.



Dispose of the packaging material properly and in interest of the environmental protection.



Consult your responsible authority for information about the professional and environment-friendly disposal of your device. If you want that we handle the disposal for you, you can send the device at your costs to Auerswald GmbH & Co. KG.

---

### Declaration of Conformity

Auerswald GmbH & Co. KG declares: This product complies with the basic health, safety and environmental requirements in all relevant European directives. You will find the Declaration of Conformity at: [www.auerswald.de/en/support/produkte](http://www.auerswald.de/en/support/produkte)

Select the product there. You can then download the Declaration of Conformity under "Documentations".

---

### Conditions of Warranty

1. Auerswald GmbH & Co. KG, Vor den Grashöfen 1, 38162 Cremlingen, Germany, grants 24 months Manufacturer's Warranty from the date of purchase, as the manufacturer of this product.

2. For you, as a consumer, this means: We guarantee that our devices are error-free when supplied. If a manufacturing error is identified within 24 months of the delivery date we will repair or replace the device free of charge without you, as the consumer, having to provide the usual legally required proof that this fault was present when you received the device. We either use new parts or parts in mint condition for the repair or replacement delivery. Any parts removed from the device become our property and can be destroyed by us.

3. In addition to this warranty, you have the unlimited legal right to claim against the supplier on the basis of the terms of the warranty for defects on the basis of the purchase contract. However, in contrast to our Manufacturer's Warranty, the legal warranty for defects only applies to the device's state when sold (handover).

4. You can only claim against this warranty if you return the faulty device to Auerswald GmbH & Co. KG or our local general importer or distributor, outside Germany, at your own cost, with a valid proof of purchase (invoice or till receipt). When you return it to us, please provide a detailed description of the fault that has occurred, and also tell us your

telephone number, in case we need to contact you. To prevent shipping damage, provide suitable transport packaging (e.g. original packaging with a secondary shipping box).

5. The Manufacturer's Warranty excludes damage caused by mishandling, operating errors, misuse, external influences, lightning strikes/power surges, modifications to the product and extensions. Also excluded are wearing parts (e.g. batteries, fuses, rechargeable batteries and memory cards) and damage caused by wearing parts (e.g. if batteries go flat). Shipping damage, consequential damage, and costs arising from down times and travel times are also excluded.

6. The warranty is cancelled if repairs are carried out by unauthorised agents.

## Initial Commissioning

Connect the telephone as shown in the figure under Connection.

---

### Initial Setup using the Telephone

Requirements:

- Internal telephone numbers configured on the PBX

Follow the instructions on the telephone.

---

**Note:** The MSN is the internal number that has been set up on the PBX.

---

---

### Configuration via COMfortel Set

Requirements:

- Java Runtime is installed (available on our website)
- COMfortel Set is installed (available on our website)
- Existing PC connection to a PC interface on the PBX (see the PBX manual)

1. Run the program.
2. Select **Options > Interface** and then select the interface you are using (for example, **IP network**, to connect the PC to the PBX over the local network).
3. Click **Open > Telephone** and select the required telephone.
4. Enter the required PIN.
5. Configure the settings you want.
6. Now save the configuration in the telephone. Click **File > Save > Telephone**.

# Español

## Información importante

---

### Indicaciones de seguridad



**Advertencia:** Si este dispositivo se utiliza de forma indebida se corre el riesgo de provocar una descarga eléctrica potencialmente mortal y daños en el dispositivo o su destrucción.

- Debe leer las instrucciones correspondientes al dispositivo y guardarlas.
- Los cables de conexión del dispositivo deben conectarse únicamente a las cajas de conexión instaladas específicamente para ellos
- Utilice exclusivamente repuestos y accesorios originales.



**Advertencia:** La configuración incompleta o errónea del sistema puede poner en riesgo a las personas, como en el caso de que no se puedan realizar llamadas de emergencia.

- La configuración del producto se efectúa a través del teléfono o del software COMfortel Set. La ayuda correspondiente está disponible en inglés y en alemán. Si no tiene un dominio suficiente de estos idiomas ni de la terminología técnica solicite ayuda a un profesional técnico que conozca dichos idiomas.



**Advertencia:** La penetración de líquidos en el interior de la carcasa puede provocar una descarga eléctrica potencialmente mortal y dañar o destruir el dispositivo.

- El teléfono solamente puede funcionar en espacios cerrados y secos.
- Para limpiar el dispositivo utilice únicamente un paño humedecido o un paño especial antiestático.



**Advertencia:** Las líneas de conexión dañadas, así como los daños o desperfectos en la carcasa o el propio dispositivo, pueden provocar descargas eléctricas potencialmente mortales.

- Jamás debe encender un dispositivo averiado o dañado para hacerlo funcionar.



**Advertencia:** Las sobretensiones, como las que pueden producirse en caso de tormenta eléctrica, pueden provocar descargas eléctricas potencialmente mortales y dañar o destruir el dispositivo.

- No toque el dispositivo durante una tormenta eléctrica.
- Debe encargar a un electricista el tendido de todos los cables en el interior del edificio.



**Advertencia:** El uso de auriculares, altavoces externos o microteléfonos inadecuados puede provocar daños en el oído o dificultar la comunicación.

- Consulte los datos técnicos antes de conectar unos auriculares.





**Advertencia:** El campo magnético de baja intensidad del microteléfono puede atraer objetos de oficina como chinchetas o clips que pueden provocar lesiones.

- No deje el microteléfono cerca de dichos objetos.



**Advertencia:** Peligro de asfixia. Este dispositivo contiene piezas pequeñas que podrían ser ingeridas por niños pequeños.

- Mantenga el dispositivo fuera del alcance de los niños pequeños

**Importante:** Este dispositivo no se ha concebido para trabajar con sistemas de soporte vital o aplicaciones relacionadas con instalaciones nucleares, por lo que no se debe utilizar para tales fines. Si se pretende utilizar este dispositivo para finalidades de esa naturaleza, es obligatorio contar con una autorización o aprobación previa por escrito del fabricante que se adapte a las características concretas del caso.

Utilizar este dispositivo para fines distintos de los previstos podría conllevar limitaciones de su funcionamiento o averías y destruir el dispositivo o, en el peor de los casos, comportar riesgos para la seguridad de las personas.

Si después de leer el siguiente capítulo le quedan dudas sobre el uso adecuado y previsto del dispositivo consulte a su distribuidor especializado.

- Debe leer las instrucciones correspondientes al dispositivo y guardarlas para poderlas consultar posteriormente.
- Para usar algunas funciones es preciso efectuar una activación en el operador de red, una actualización del firmware y/o ejecutar una configuración con el software COMfortel Set.

---

## Uso previsto

Teléfono de sistema para conexión al puerto interno  $S_0$  o  $U_{P0}$  de una centralita de Auerswald/FONtevo (ver datos técnicos). No está prevista la conexión a una centralita de otro fabricante ni a la conexión externa  $S_0$  de un operador de red. El teléfono con cable está previsto para funcionar en espacios cerrados y secos.

---

## Datos técnicos

Tensión de servicio	Alimentación a través del puerto interno $S_0$ o $U_{P0}$ de la centralita
Potencia absorbida	Mín. 1,1 W, máx. 2,0 W
Conexión del sistema	Puerto interno $S_0$ o $U_{P0}$ de las centralitas: COMpact 3000 analógica/RDSI/VoIP, COMpact 2206 USB, COMpact 4410 USB, COMpact 5010 VoIP, COMpact 5020 VoIP, COMpact 4000, COMpact 5000/R, COMpact 5200/R, COMpact 5500R, COMmander 6000/R/RX. COMmander Basic 2/19", COMmander Business/19"

Indicadores	14 LED, 10 de ellos de varios colores; pantalla monocromo FSTN, 128 x 64 píxeles, retroiluminación
Elementos de mando	Teclado de marcado, 13 teclas de funciones fijas, pad de control, 10 teclas de función programables con LED (se les puede asignar una función a cada una en un nivel)
Microteléfono	Audio de banda ancha, micrófono electret, altavoces dinámicos, compatible con audífonos
Gancho conmutador	Contacto de maniobra magnético
Carcasa	Plástico, negro
Dimensiones	223 mm x 148/158/168 mm x 185 mm (an x al x f)
Peso	Aprox. 920 g
Temperatura	Funcionamiento: De 0 a 40 °C, almacenamiento: De - 30 a + 70 °C, sin condensación
Seguridad	CE

### Datos técnicos para la conexión de auriculares analógicos

Solo es posible como alternativa al microteléfono y en la conexión del microteléfono. Es posible que sea necesario un adaptador (p. ej. para COMfortel Headset).

Consumo de potencia micrófono	Máx. 0,5 mA
Sensibilidad micrófono	- 45 dB
Impedancia altavoz	150 ohmios
Sensibilidad altavoz a 1 kHz	19,5 +/- 3 dBPa/V
Límite de nivel sonoro	24 dBPa

### Indicaciones relativas al medio ambiente

Si el dispositivo se queda anticuado o finaliza su cometido, debe tener en cuenta las normas específicas para la eliminación del mismo (no se debe desechar junto con la basura doméstica).



Elimine el material de embalaje conforme a las normas de protección del medio ambiente.



Consulte al órgano de administración municipal cuáles son las posibilidades para desechar el dispositivo de una forma adecuada y respetuosa con el medio ambiente. Si lo desea, nosotros podemos hacernos cargo de la eliminación. En tal caso, envíe el dispositivo a Auerswald GmbH & Co KG. Deberá correr con los gastos de envío pertinentes.

---

## Declaración de conformidad

Auerswald GmbH & Co. KG declara que: este producto cumple los requisitos de salud, seguridad y medioambientales básicos de todas las directivas relevantes. Encontrará la declaración de conformidad en: [www.auerswald.de/en/support/produkte](http://www.auerswald.de/en/support/produkte)

Seleccione allí el producto. A continuación, podrá descargar la declaración de conformidad en «Documentations».

---

## Condiciones de la garantía

1. La empresa Auerswald GmbH & Co. KG, con sede en Vor den Grashöfen 1, 38162 Cremlingen, Germany, como fabricante de este producto, ofrece una garantía de fabricante por un plazo de 24 meses, contados desde la fecha de compra.
2. Para usted, como consumidor, esto implica que: Le garantizamos que nuestros dispositivos están en perfecto estado de funcionamiento en el momento de la entrega. Durante un plazo de 24 meses a partir de esa fecha, en caso de defectos de fabricación, le proporcionaremos un servicio de reparación totalmente gratuito o le facilitaremos un aparato de sustitución sin coste. A diferencia de las condiciones de la garantía legal obligatoria, usted no tendrá que demostrar que el problema o la avería ya existía en el momento de la entrega de la centralita. En caso de que sea preciso realizar reparaciones o entregarle un dispositivo de sustitución, utilizaremos componentes nuevos o en perfecto estado. Los componentes que pudieran extraerse del dispositivo pasarán a ser de nuestra propiedad, estando permitida su destrucción.
3. Además de esta garantía, el cliente cuenta con todos los derechos legales derivados de la garantía contra defectos impuesta por ley, que descansan sobre el contrato de compraventa y cuyas responsabilidades recaen sobre el proveedor. A diferencia de nuestra garantía de fabricante, la garantía legal contra defectos solamente cubre las condiciones del producto en el momento de la venta (entrega).
4. Solamente podrá efectuar reclamaciones al amparo de esta garantía si acompaña el dispositivo defectuoso de un documento que acredite con claridad la adquisición (factura o recibo de compra), que debe presentar corriendo usted con los correspondientes gastos ante Auerswald GmbH & Co. KG o, en caso de encontrarse fuera de Alemania, ante nuestro importador general o distribuidor local. Le rogamos que, junto con el dispositivo y la documentación acreditativa de la compra, incluya una descripción detallada del problema y nos facilite asimismo un número de teléfono para poder plantearle las preguntas que pudiesen surgir. Para evitar que el dispositivo sufra daños durante el transporte, le aconsejamos que procure emplear un embalaje apropiado para ello (por ejemplo, el embalaje original dentro de una caja protectora).
5. Quedan excluidos de la garantía del fabricante los daños causados por manipulación inadecuada, errores de manejo, usos indebidos, factores externos, sobretensiones o impactos de rayos, alteraciones del producto o accesorios complementarios incorporados. Quedan asimismo excluidos de la garantía los componentes sometidos a desgaste (por ejemplo: pilas, fusibles, baterías, tarjetas de memoria) y los daños provocados por componentes sometidos a desgaste (por ejemplo, por pilas agotadas). También quedan excluidos de la garantía los daños ocurridos durante el transporte, los daños indirectos y los costes por interrupciones del servicio y tiempos de los traslados.
6. La garantía se considerará extinguida si se efectúan reparaciones en talleres no autorizados.

## Entrada en servicio

Realice las conexiones del teléfono como se muestra en la figura titulada "Conexión".

---

## Configuración inicial a través del teléfono

Requisitos:

- Número interno configurado en la centralita
- Signa las instrucciones del teléfono.

---

**Nota:** El MSN es el número interno configurado en la centralita.

---

---

## Configuración a través COMfortel Set

### Requisitos:

- Java Runtime instalado (lo encontrará en nuestra página web)
- COMfortel Set instalado (lo encontrará en nuestra página web)
- Conexión establecida entre el PC y una interfaz PC de la centralita (véanse las instrucciones de la centralita)

1. Inicie el programa.
2. En **Opciones > Interfaz** seleccione la interfaz que utiliza (p. ej. **Red IP** para la conexión del PC con la centralita a través de la red local).
3. Haga clic en **Abrir > Teléfono** y seleccione el teléfono que corresponda.
4. Introduzca el PIN.
5. Realice los ajustes deseados.
6. Acto seguido guarde la configuración en el teléfono. Para ello haga clic sucesivamente en **Fichero > Guardar > Teléfono**.

# Ελληνικά

## Σημαντικές πληροφορίες

### Υποδείξεις ασφαλείας



**Προειδοποίηση:** Η ακατάλληλη χρήση της συσκευής μπορεί να οδηγήσει σε θανατηφόρο ηλεκτροπληξία και να προκαλέσει ζημιές ή να καταστρέψει τη συσκευή.

- Διαβάστε τις οδηγίες χρήσης που συνοδεύουν τη συσκευή και φυλάξτε τις.
- Συνδέετε το καλώδιο σύνδεσης της συσκευής μόνο στις σχετικά προβλεπόμενες και σωστά τοποθετημένες πρίζες
- Χρησιμοποιείτε αποκλειστικά γνήσια εξαρτήματα και ανταλλακτικά.



**Προειδοποίηση:** Η ελλιπής ή εσφαλμένη ρύθμιση ενδέχεται να θέσει σε κίνδυνο άτομα, π. χ. λόγω μη εκτελέσιμων κλήσεων έκτακτης ανάγκης.

- Η ρύθμιση του προϊόντος πραγματοποιείται μέσω του τηλεφώνου ή μέσω του λογισμικού COMfortel Set. Η σχετική βοήθεια διατίθεται στην αγγλική ή στη γερμανική γλώσσα. Αν δεν είστε εξοικειωμένοι με αυτές τις γλώσσες και τους χρησιμοποιούμενους ειδικούς όρους, συμβουλευτείτε τεχνικά και γλωσσικά κατάλληλο εξειδικευμένο προσωπικό.



**Προειδοποίηση:** Η εισχώρηση υγρών στο περίβλημα μπορεί να οδηγήσει σε θανατηφόρο ηλεκτροπληξία και να προκαλέσει ζημιές ή να καταστρέψει τη συσκευή.

- Λειτουργείτε το τηλέφωνο μόνο σε κλειστούς, ξηρούς χώρους.
- Καθαρίζετε τη συσκευή μόνο με ελαφρώς βρεγμένο πανί ή με αντιστατικό πανί.



**Προειδοποίηση:** Κατεστραμμένα καλώδια, καθώς και ζημιές στο περίβλημα και την ίδια τη συσκευή μπορούν να οδηγήσουν σε θανατηφόρο ηλεκτροπληξία.

- Μην θέτετε σε λειτουργία μια κατεστραμμένη συσκευή.



**Προειδοποίηση:** Οι υπερτάσεις που συμβαίνουν κατά τη διάρκεια καταιγίδων μπορούν να προκαλέσουν θανατηφόρο ηλεκτροπληξία και να προκαλέσουν ζημιές ή να καταστρέψουν τη συσκευή.

- Αποφεύγετε κατά τη διάρκεια καταιγίδων την επαφή με τη συσκευή.
- Αναθέστε σε έναν εξειδικευμένο ηλεκτρολόγο να τοποθετήσει όλα τα καλώδια εντός του κτιρίου.



**Προειδοποίηση:** Ακατάλληλα σεντ ακουστικών, εξωτερικά ηχεία ή ακουστικά μπορούν να οδηγήσουν σε βλάβες στην ακοή ή να προκαλέσουν παρεμβολές στη σύνδεση συνομιλίας.

- Τηρείτε τα τεχνικά στοιχεία για τη σύνδεση σεντ ακουστικών.



**Προειδοποίηση:** Λόγω του ασθενούς μαγνητικού πεδίου στο ακουστικό τα αντικείμενα που προσελκύονται, όπως βελόνες και συνδετήρες, μπορούν να οδηγήσουν σε τραυματισμούς.

- Μην τοποθετείτε το ακουστικό κοντά σε τέτοιου είδους αντικείμενα.



**Προειδοποίηση:** Κίνδυνος ασφυξίας. Η συσκευή περιέχει μικρά κομμάτια με κίνδυνο κατάποσης από μικρά παιδιά.

- Φυλάσσετε τη συσκευή μακριά από μικρά παιδιά

**Σημαντικό:** Η συσκευή δεν έχει σχεδιαστεί και δεν πρέπει επομένως να χρησιμοποιείται σε συστήματα ή/και εφαρμογές υποστήριξης ζωτικών λειτουργιών μέσα σε πυρηνικές εγκαταστάσεις. Πριν από τη χρήση της συσκευής σε τέτοιες εφαρμογές θα πρέπει να προηγηθεί υποχρεωτικά μια προσαρμοσμένη στη συγκεκριμένη περίπτωση έγγραφη συγκατάθεση/δήλωση του κατασκευαστή.

Η μη προβλεπόμενη χρήση μπορεί να οδηγήσει, π. χ. σε λειτουργικούς περιορισμούς ή διαταραχές, στην καταστροφή της συσκευής ή στη χειρότερη περίπτωση στον τραυματισμό ατόμων.

Αν δεν είστε βέβαιοι για την προβλεπόμενη χρήση ακόμα και μετά την ανάγνωση του επόμενου κεφαλαίου, ρωτήστε τον εξειδικευμένο έμπορό σας.

- Διαβάστε τις οδηγίες χρήσης που συνοδεύουν τη συσκευή και φυλάξτε τις για μελλοντική χρήση.
- Για τη χρήση ορισμένων λειτουργιών απαιτείται ενεργοποίηση στον φορέα εκμετάλλευσης, ενημέρωση υλικολογισμικού ή/και ρύθμιση μέσω του COMfortel Set.

---

## Προβλεπόμενη χρήση

Τηλέφωνο συστήματος για σύνδεση στην εσωτερική θύρα  $S_0$  ή θύρα  $U_{P0}$  ενός τηλεφωνικού κέντρου της Auerwald/FONtevo (βλέπε τεχνικά στοιχεία). Δεν προβλέπεται η σύνδεση σε ένα τηλεφωνικό κέντρο κάποιου άλλου κατασκευαστή ή στην εξωτερική σύνδεση  $S_0$  ενός φορέα εκμετάλλευσης. Το τηλέφωνο είναι ενσύρματο και προορίζεται για λειτουργία σε κλειστούς, ξηρούς χώρους.

---

## Τεχνικά στοιχεία

Τάση λειτουργίας	Τροφοδοσία μέσω εσωτερικής θύρας $S_0$ ή $U_{P0}$ από το τηλεφωνικό κέντρο
Κατανάλωση ισχύος	Ελάχ. 1,1 W, μέγ. 2,0 W
Σύνδεση συστήματος	Εσωτερική θύρα $S_0$ ή $U_{P0}$ των τηλεφωνικών κέντρων: COMpact 3000 αναλογικό/ISDN/VoIP, COMpact 2206 USB, COMpact 4410 USB, COMpact 5010 VoIP, COMpact 5020 VoIP, COMpact 4000, COMpact 5000/R, COMpact 5200/R, COMpact 5500R, COMmander 6000/R/RX, COMmander Basic 2/19", COMmander Business/19"

Προβολή	14 λυχνίες LED, 10 από αυτές πολύχρωμες, μονόχρωμη οθόνη FSTN, 128 x 64 pixel, φωτισμός φόντου
Στοιχεία χειρισμού	Πληκτρολόγιο επιλογής αριθμών, 13 πλήκτρα σταθερής λειτουργίας, πληκτρολόγιο κλήσης, 10 προγραμματιζόμενα πλήκτρα λειτουργίας με λυχνία LED (δυνατότητα αντιστοιχίας μιας λειτουργίας σε ένα επίπεδο)
Ακουστικό	Wideband audio, μικρόφωνο Elektret, δυναμικό ηχείο ακουστικού, συμβατό με ακουστικές συσκευές
Διακόπτης αγκίστρου	Μαγνητική επαφή διακόπτη
Περίβλημα	Πλαστικό, μαύρο
Διαστάσεις	223 mm x 148/158/168 mm x 185 mm (Π x Υ x Β)
Βάρος	Περ. 920 g
Θερμοκρασία	Λειτουργία: 0 έως 40 °C, αποθήκευση: - 30 έως 70 °C, χωρίς συμπύκνωση
Ασφάλεια	CE

### Τεχνικά στοιχεία για τη σύνδεση ενός σετ αναλογικών ακουστικών

Δυνατότητα μόνο ως εναλλακτική λύση για το ακουστικό στην υποδοχή ακουστικού. Ενδεχομένως να απαιτείται αντάπτορας (π.χ. για COMfortel Headset).

Κατανάλωση ισχύος μικροφώνου	Μέγ. 0,5 mA
Ευαισθησία μικροφώνου	- 45 dB
Αντίσταση ηχείου	150 Ohm
Ευαισθησία ηχείου σε 1 kHz	19,5 +/- 3 dBPa/V
Όρια στάθμης ήχου	24 dBPa

### Περιβαλλοντικές υποδείξεις

Σε περίπτωση που η συσκευή συμπληρώσει την ωφέλιμη διάρκεια ζωής της, φροντίστε για την κατάλληλη απόρριψη (όχι μαζί με τα συνήθη οικιακά απορρίμματα).



Απορρίψτε το υλικό συσκευασίας σωστά, φροντίζοντας για την προστασία του περιβάλλοντος.



Πληροφορηθείτε από τη δημοτική ή τοπική αρχή για τις δυνατότητες σωστής και φιλικής προς το περιβάλλον απόρριψης της συσκευής. Αν θέλετε να αναλάβουμε εμείς την απόρριψη, στείλτε τη συσκευή σας με δική σας επιβάρυνση στην Auerswald GmbH & Co. KG.

---

## Δήλωση συμμόρφωσης

Η Auerswald GmbH & Co. KG δηλώνει τα εξής: Αυτό το προϊόν συμμορφώνεται με τις βασικές απαιτήσεις υγείας, ασφάλειας και περιβάλλοντος όλων των σχετικών ευρωπαϊκών οδηγιών. Μπορείτε να βρείτε τη δήλωση συμμόρφωσης στην ιστοσελίδα: [www.auerswald.de/en/support/produkte](http://www.auerswald.de/en/support/produkte)

Εκεί επιλέξετε το προϊόν. Στη συνέχεια, μπορείτε να κάνετε λήψη της δήλωσης συμμόρφωσης στην ενότητα «Documentations».

---

## Όροι παροχής εγγύησης

1. Η Auerswald GmbH & Co. KG, Vor den Grashöfen 1, 38162 Cremlingen, Germany, παρέχει ως κατασκευαστής αυτού του προϊόντος εγγύηση κατασκευαστή 24 μηνών από την ημερομηνία αγοράς.
2. Για εσάς ως καταναλωτή αυτό σημαίνει: Εγγυόμαστε ότι οι συσκευές μας είναι απαλλαγμένες από σφάλματα κατά την παράδοση και εξασφαλίζουμε 24 μήνες από αυτήν την ημερομηνία δωρεάν επισκευή ή δωρεάν αντικατάσταση, σε περίπτωση σφάλματος κατασκευής και παραιτούμαστε από το αποδεικτικό που πρέπει να υποβληθεί από εσάς ως καταναλωτή, σύμφωνα με τη νόμιμη εγγύηση, σχετικά με το ότι αυτό το σφάλμα υπήρχε ήδη το χρονικό σημείο της παράδοσης. Κατά την επισκευή ή την παράδοση της αντικατάστασης χρησιμοποιούμε είτε καινούργια είτε ανακατασκευασμένα μέρη. Τα μέρη που ενδεχομένως θα αφαιρεθούν από τη συσκευή περνούν στην ιδιοκτησία μας και επιτρέπεται να καταστραφούν.
3. Εκτός από την παρούσα εγγύηση ο πελάτης δικαιούται πλήρως τα νόμιμα δικαιώματα, όπως προκύπτουν από την εγγύηση περί ελαττωμάτων βάσει της σύμβασης αγοράς απέναντι στον προμηθευτή. Η νόμιμη εγγύηση περί ελαττωμάτων αφορά ωστόσο σε αντίθεση με τη δική μας εγγύηση κατασκευαστή μόνο την κατάσταση κατά το χρονικό σημείο της πώλησης (παράδοσης).
4. Μπορείτε να επωφεληθείτε της παρούσας εγγύησης μόνο αν στείλετε την ελαττωματική συσκευή μαζί με μια σαφή απόδειξη αγοράς (τιμολόγιο ή απόδειξη) με δικά σας έξοδα στην Auerswald GmbH & Co. KG ή εκτός Γερμανίας σε δικό μας γενικό εισαγωγέα ή τοπικό διανομέα. Στην αποστολή συμπεριλάβετε λεπτομερή περιγραφή του σφάλματος και δηλώστε και τον αριθμό τηλεφώνου σας για ενδεχόμενες περαιτέρω ερωτήσεις. Για να αποφύγετε ζημιές κατά τη μεταφορά, χρησιμοποιήστε κατάλληλη συσκευασία μεταφοράς (π. χ. η αρχική συσκευασία μαζί με εξωτερικό χαρτόνι).
5. Από την εγγύηση κατασκευαστή εξαιρούνται οι ζημιές που προκαλούνται από ακατάλληλο χειρισμό, σφάλματα χειρισμού, εσφαλμένη χρήση, εξωτερικές επιρροές, αστραπές/υπέρταση, μετατροπές στο προϊόν, καθώς και επεκτάσεις. Επιπλέον, εξαιρούνται τα εξαρτήματα φθοράς (π. χ. μπαταρίες, ασφάλειες, συσσωρευτές, κάρτες αποθήκευσης), καθώς και οι ζημιές που προκαλούνται από εξαρτήματα φθοράς (π.χ. λόγω διαρροής των μπαταριών). Επίσης, εξαιρούνται οι ζημιές κατά τη μεταφορά, οι επακόλουθες ζημιές, τα κόστη αστοχιών και των διαστημάτων μετακινήσεων.
6. Η εγγύηση παύει να ισχύει όταν οι επισκευές εκτελούνται από μη εξουσιοδοτημένα άτομα.

## Πρώτη θέση σε λειτουργία

Συνδέστε το τηλέφωνο, όπως εμφανίζεται στην εικόνα για τη σύνδεση.

---

## Αρχική ρύθμιση μέσω του τηλεφώνου

Προϋποθέσεις:

- Στον εσωτερικό αριθμό κλήσης που έχει ρυθμιστεί στο τηλεφωνικό κέντρο
- Ακολουθήστε τις οδηγίες χρήσης στο τηλέφωνο.

---

**Σημείωση:** Το MSN είναι ο εσωτερικός αριθμός κλήσης που έχει ρυθμιστεί στο τηλεφωνικό κέντρο.

---

---

## Ρύθμιση μέσω του COMfortel Set

Προϋποθέσεις:

- Το Java Runtime έχει εγκατασταθεί (βλ. σχετικά στον ιστότοπό μας)
- Το COMfortel Set έχει εγκατασταθεί (βλ. σχετικά στον ιστότοπό μας)



- Υπάρχουσα σύνδεση του υπολογιστή σε μια θύρα υπολογιστή του τηλεφωνικού κέντρου (βλέπε οδηγίες χρήσης του τηλεφωνικού κέντρου)
1. Εκκινήστε το πρόγραμμα.
  2. Επιλέξτε στο **Επιλογές > Διασύνδεση** τις χρησιμοποιούμενες από εσάς θύρες (π. χ. **Δίκτυο IP** κατά τη σύνδεση του υπολογιστή στο τηλεφωνικό κέντρο μέσω του τοπικού δικτύου).
  3. Κάντε κλικ στη διαδρομή **Άνοιγμα > Τηλέφωνο** και επιλέξτε το σχετικό τηλέφωνο.
  4. Καταχωρίστε το PIN.
  5. Πραγματοποιήστε τις επιθυμητές ρυθμίσεις.
  6. Βεβαιωθείτε στη συνέχεια, για τη διαμόρφωση, στο τηλέφωνο. Πατήστε προς τούτο διαδοχικά στο **Αρχείο > Αποθήκευση > Τηλέφωνο**.

# Français

## Informations importantes

---

### Consignes de sécurité



**Avertissement:** Une utilisation non conforme de l'appareil peut entraîner une électrocution mortelle et endommager ou détruire l'appareil.

- Veuillez lire avec attention les notices se rapportant à l'appareil et les conserver.
- Connectez le câble de raccordement de l'appareil uniquement aux boîtes de jonction correctement installées et prévues à cet effet.
- Utilisez exclusivement des accessoires et pièces de rechange d'origine.



**Avertissement:** Une installation incomplète ou défectueuse peut entraîner des risques de blessures, par ex. en raison d'un dysfonctionnement des appels d'urgence.

- La configuration du produit se fait par le téléphone ou par le kit logiciel COMfortel. L'aide correspondante est disponible en anglais ou en allemand. Si vous ne maîtrisez pas ces langues et si la terminologie ne vous est pas familière, faites-vous assister par un professionnel spécialisé et comprenant ces langues.



**Avertissement:** La pénétration de liquides dans le boîtier peut entraîner une électrocution mortelle et endommager ou détruire l'appareil.

- N'utilisez le téléphone que dans des pièces fermées et sèches.
- Nettoyez l'appareil avec un chiffon légèrement humide ou un chiffon antistatique uniquement.



**Avertissement:** Des lignes de raccordement endommagées ainsi que des dommages au niveau du boîtier et sur l'appareil peuvent entraîner une électrocution mortelle.

- Ne faites pas fonctionner d'appareil endommagé.



**Avertissement:** Des surtensions, telles que celles survenant lors d'un orage, peuvent entraîner une électrocution mortelle et endommager ou détruire l'appareil.

- Lors d'un orage, ne touchez pas l'appareil.
- Tous les câbles dans les bâtiments ne doivent être posés que par un électricien qualifié.



**Avertissement:** L'utilisation de micro-casques, de haut-parleurs ou écouteurs externes non adaptés peut entraîner une perte auditive ou dégrader la qualité de la conversation.

- Pour connecter un micro-casque, respectez les spécifications techniques.



**Avertissement:** En raison du faible champ magnétique dans l'écouteur, des objets attirés par l'aimant, comme des aiguilles ou des trombones, peuvent entraîner des blessures.

- Ne posez pas l'écouteur à proximité de tels objets.



**Avertissement:** Danger d'étouffement. L'appareil contient des petites pièces susceptibles d'être avalées par des enfants en bas âge.

- Tenez l'appareil hors de la portée des jeunes enfants.

**Important:** L'appareil n'est pas prévu pour des systèmes de survie et/ou pour des utilisations dans des installations nucléaires et ne doit donc pas être utilisé dans ces conditions. Une utilisation de l'appareil dans de telles conditions doit obligatoirement faire l'objet d'une autorisation individuelle spécifique écrite du fabricant.

Une utilisation non conforme peut par ex. entraîner une limitation des fonctions ou bien des dysfonctionnements, la destruction de l'appareil ou, dans les cas les plus graves, la mise en danger de personnes.

Si, malgré avoir lu le chapitre suivant, vous avez des doutes quant à l'utilisation conforme, veuillez vous adresser à votre revendeur.

- Veuillez lire avec attention les notices se rapportant à l'appareil et les conserver pour une utilisation ultérieure.
- Pour l'utilisation de certaines fonctions, une activation par l'exploitant du réseau, une mise à jour de la version du logiciel et/ou une configuration sont nécessaires.

---

## Utilisation conforme

Téléphone pour connexion au port interne  $S_0$  ou  $U_{P0}$  d'un système de télécommunication Auerswald/FONtevo (cf. spécifications techniques). Le raccordement à un système de télécommunication d'un autre fabricant ou à la prise externe  $S_0$  d'un exploitant de réseau n'est pas prévu. Le téléphone filaire est conçu pour une utilisation dans des pièces fermées et sèches.

---

## Spécifications techniques

Tension en fonctionnement	Alimentation par port interne $S_0$ ou $U_{P0}$ du système de télécommunication.
Puissance absorbée	1,1 W min., 2,0 W max.
Raccordement au système	Port interne $S_0$ ou $U_{P0}$ du système de télécommunication : COMpact 3000 analogique/ ISDN/VoIP, COMpact 2206 USB, COMpact 4410 USB, COMpact 5010 VoIP, COMpact 5020 VoIP, COMpact 4000, COMpact 5000/R, COMpact 5200/R, COMpact 5500R, COMmmander 6000/R/RX. COMmmander Basic 2/19", COMmmander Business/19"

Affichages	14 LED, dont 10 multicolores, écran monochrome à matrice passive FSTN, 128 x 64 pixels, rétro-éclairage
Éléments de commande	Clavier téléphonique, 13 boutons à fonction fixe, croix directionnelle, 10 boutons à fonction programmable avec LED (avec chacune une fonction affectée par niveau)
Écouteur	Audio à large bande, microphone à électret, haut-parleur écouteur dynamique, compatible avec appareils auditifs
Crochet commutateur	Commutateur de contact magnétique
Boîtier	Plastique, noir
Dimensions	223 mm x 148/158/168 mm x 185 mm (l x h x p)
Poids	env. 920 g
Température	Fonctionnement : 0 à 40 °C, entreposage : - 30 à + 70 °C, sans condensation
Sécurité	CE

### Spécifications techniques pour la connexion d'un micro-casque analogiques

Uniquement possible comme alternative au combiné écouteur sur le connecteur écouteur. Un adaptateur peut être nécessaire (par ex. pour COMfortel Headset).

Alimentation microphone	0,5 mA max.
Sensibilité microphone	- 45 dB
Impédance haut-parleur	150 Ohm
Sensibilité haut-parleur pour 1 kHz	19,5 +/- 3 dBPa/V
Limite du niveau sonore	24 dBPa

### Consignes relatives à l'environnement

Si l'appareil n'est plus utilisé, veuillez vous assurer qu'il est mis au rebut de manière appropriée (et n'est pas jeté avec les ordures ménagères).



Veuillez jeter ou recycler l'emballage dans le respect de l'environnement.



Renseignez-vous auprès de votre ville ou commune pour savoir quelles sont les possibilités de recyclage et de gestion des déchets pouvant s'appliquer à l'appareil. Si vous souhaitez que nous nous chargions de la

gestion des déchets liés à l'appareil, envoyez l'appareil à vos frais à Auerswald GmbH & Co. KG.

---

## Déclaration de conformité

Auerswald GmbH & Co. KG déclare: Ce produit est conforme aux exigences de base en matière de santé, de sécurité et d'environnement de toutes les directives européennes pertinentes. La déclaration de conformité peut être consultée sous: [www.auerswald.de/en/support/produkte](http://www.auerswald.de/en/support/produkte)

Sélectionnez le produit là-bas. Vous pouvez ensuite télécharger la déclaration de conformité sous „Documentation“.

---

## Conditions de garantie

1. La société Auerswald GmbH & Co. KG, Vor den Grashöfen 1, 38162 Cremlingen, Germany, accorde une garantie fabricant sur ce produit, pour une durée de 24 mois suivant la date d'achat.
2. Pour vous en tant que client, ceci signifie que : nous garantissons que nos appareils sont irréprochables en l'état à la livraison et que nous nous engageons, pour une période de 24 mois suivant cette date, à effectuer une réparation ou à livrer une pièce de rechange sans coûts supplémentaires dans le cas où un défaut de fabrication serait constaté, et que nous renonçons à exiger de vous, en qualité de client, la présentation d'une preuve de présence du défaut à la livraison comme ceci est généralement le cas dans le respect de la garantie légale. Lors de la réparation ou de la livraison de la pièce de rechange, nous utilisons des pièces neuves ou des pièces à l'état neuf. Le cas échéant, les pièces retirées de l'appareil nous appartiennent et peuvent être détruites.
3. En plus de cette garantie, le client dispose pleinement des droits relatifs à la garantie légale de conformité sur la base du contrat de vente conclu avec le distributeur/revendeur qui lui sont conférés par la loi. La garantie légale de conformité ne concerne que la qualité de la marchandise au moment de la vente (transfert), contrairement à notre garantie fabricant.
4. Vous ne pouvez faire valoir cette garantie que lorsque vous envoyez à vos frais l'appareil défectueux accompagné d'une preuve d'achat (facture ou ticket de caisse) à Auerswald GmbH & Co. KG ou, hors d'Allemagne, à notre importateur général ou distributeur sur place. Veuillez joindre à cet envoi une description détaillée du défaut ainsi que votre numéro de téléphone afin que nous puissions vous contacter au besoin. Afin d'éviter tout dommage lors du transport, veuillez vous assurer que l'appareil est placé dans un emballage adapté (par ex. emballage original placé dans un carton).
5. Les dommages résultant d'une utilisation non conforme, d'erreurs de manipulation, d'une utilisation abusive, d'influences extérieures, de la foudre/d'une surtension, d'une modification du produit et d'ajouts, sont exclus de la garantie fabricant. Les pièces d'usure sont également exclues de la garantie (par ex. piles, fusibles, batteries, cartes mémoires), tout comme les dommages résultant des pièces d'usures (par ex. en raison de piles déchargées). Les dommages résultant du transport, les dommages consécutifs ainsi que les coûts liés aux temps d'attente et d'acheminement, sont également exclus de la garantie fabricant.
6. La garantie est rendue caduque lors de l'exécution de réparations effectuées par des organismes non autorisés.

## Première mise en service

Raccordez le téléphone comme représenté sur l'illustration sous Raccordement.

---

## Première configuration du téléphone

Prérequis :

- Numéros d'appel internes paramétrés dans le système de télécommunication

Suivez les indications dans le téléphone.

---

**Remarque:** Le MSN est le numéro d'appel interne paramétré dans le système de télécommunication.

---

---

## Configuration via le COMfortel Set

Prérequis :

- Java Runtime est installé (disponible sur notre site Internet)

- COMfortel Set est installé (disponible sur notre site Internet)
  - Connexion existante du PC à une interface PC du système de télécommunication (cf. notice du système de télécommunication)
1. Lancez le programme.
  2. Sous **Options > Interface**, sélectionnez l'interface que vous utilisez (par ex. **Réseau IP** lors de la connexion du PC avec le système de télécommunication via le réseau local).
  3. Cliquez sur **Ouvrir > Téléphone** et sélectionnez le téléphone concerné.
  4. Entrez le code PIN.
  5. Effectuez les réglages souhaités.
  6. Enregistrez ensuite la configuration dans le téléphone. Cliquez enfin sur **Fichier > Enregistrer > Téléphone** dans cet ordre.

# Italiano

## Informazioni importanti

---

### Indicazioni di sicurezza



**Avvertenza:** L'uso improprio del dispositivo può causare una scossa elettrica mortale e danneggiare o distruggere il dispositivo.

- Leggere e conservare le guide fornite insieme al dispositivo.
- Collegare il cavo del dispositivo solo a prese idonee e installate a regola d'arte.
- Utilizzare esclusivamente accessori e ricambi originali.



**Avvertenza:** Un'eventuale configurazione incompleta o errata può risultare pericolosa per gli utenti, per es. nel caso in cui non sia possibile effettuare le chiamate di emergenza.

- Il prodotto può essere configurato tramite il telefono o tramite il software COMfortel Set. La guida corrispondente è disponibile in lingua inglese o tedesca. In caso di scarsa padronanza di tali lingue e dei termini tecnici utilizzati, rivolgersi a un tecnico con conoscenze linguistiche adeguate.



**Avvertenza:** La penetrazione di liquidi nel dispositivo può causare una scossa elettrica mortale e danneggiare o distruggere il dispositivo.

- Utilizzare il telefono solo in locali chiusi e asciutti.
- Pulire il dispositivo solo con un panno leggermente inumidito o un panno antistatico.



**Avvertenza:** I cavi di collegamento danneggiati, così come eventuali danni in corrispondenza dell'involucro e del dispositivo, possono causare una scossa elettrica mortale.

- Non mettere in funzione un dispositivo danneggiato.



**Avvertenza:** Le sovratensioni, per esempio quelle che si formano durante i temporali, possono causare una scossa elettrica mortale e danneggiare o distruggere il dispositivo.

- Durante i temporali evitare di toccare il dispositivo.
- Tutti i cavi dell'edificio devono essere posati da un elettricista qualificato.



**Avvertenza:** Cuffie auricolari, altoparlanti esterni o ricevitori inadeguati possono danneggiare l'udito o disturbare il collegamento audio.

- Rispettare i dati tecnici per il collegamento di una cuffia auricolare.



**Avvertenza:** Gli oggetti attirati dal debole campo magnetico del ricevitore, come puntine e fermagli, possono causare lesioni.

- Non appoggiare il ricevitore in prossimità di tali oggetti.



**Avvertenza:** Pericolo di soffocamento. Il dispositivo contiene particolari di piccole dimensioni che possono essere inghiottiti dai bambini.

- Tenere il dispositivo fuori dalla portata dei bambini.

**Importante:** Il dispositivo non è progettato per sistemi vitali e/o per applicazioni nell'ambito di impianti nucleari e pertanto non deve essere utilizzato a tali scopi. L'uso del dispositivo per applicazioni di questo tipo presuppone obbligatoriamente la presenza di un consenso/una dichiarazione scritti del produttore per il caso specifico.

L'uso improprio può limitare le funzioni del dispositivo, causarne un malfunzionamento o la distruzione oppure, nel peggiore dei casi, creare situazioni pericolose per le persone.

Qualora, anche dopo avere letto il capitolo seguente, permangano dubbi sull'uso previsto, rivolgersi al proprio rivenditore specializzato.

- Leggere le guide fornite insieme al dispositivo e conservarle per ogni utilizzo futuro.
- Per usufruire di alcune funzioni può essere necessario richiedere un'attivazione presso l'operatore di rete, eseguire un aggiornamento del firmware e/o eseguire una configurazione tramite COMfortel Set.

---

## Uso previsto

Telefono di sistema da collegare alla porta  $S_0$  o  $U_{P0}$  interna di un centralino Auerswald/FONtevo (vedere i dati tecnici). Il collegamento a un centralino di un altro produttore o alla porta  $S_0$  esterna di un operatore di rete non è consentito. Il telefono fisso è progettato per essere utilizzato in locali chiusi e asciutti.

---

## Dati tecnici

Tensione di funzionamento	Alimentazione dal centralino tramite porta $S_0$ o $U_{P0}$ interna
Potenza assorbita	Min. 1,1 W, max. 2,0 W
Collegamento al sistema	Porta $S_0$ o $U_{P0}$ interna dei centralini: COMpact 3000 analogico/ISDN/VoIP, COMpact 2206 USB, COMpact 4410 USB, COMpact 5010 VoIP, COMpact 5020 VoIP, COMpact 4000, COMpact 5000/R, COMpact 5200/R, COMpact 5500R, COMmander 6000/R/RX. COMmander Basic 2/19", COMmander Business/19"
Display	14 LED, 10 dei quali a più colori, display monocromatico FSTN, 128 x 64 pixel, retroilluminazione
Elementi di comando	Tastiera, 13 tasti funzione fissi, tastierino direzionale, 10 tasti funzione programmabili con LED (ciascuno con una funzione assegnabile su un livello)



Ricevitore	Audio a banda larga, microfono a electret, ricevitore con altoparlante dinamico, compatibile con apparecchio acustico
Commutatore a forchetta	Contatto di commutazione magnetico
Involucro	Plastica, nera
Dimensioni	223 mm x 148/158/168 mm x 185 mm (La x A x P)
Peso	Circa 920 g
Temperatura	Funzionamento: da 0 a 40 °C, stoccaggio: da -30 a +70 °C, senza formazione di condensa
Sicurezza	CE

### Dati tecnici per il collegamento di una cuffia auricolare analogico

Solo in alternativa al ricevitore, collegata alla presa del ricevitore. Può essere necessario un adattatore (per es. per COMfortel Headset).

Assorbimento di corrente del microfono	Max. 0,5 mA
Sensibilità del microfono	- 45 dB
Impedenza degli altoparlanti	150 Ohm
Sensibilità degli altoparlanti a 1 kHz	19,5 +/- 3 dBPa/V
Limite del livello sonoro	24 dBPa

### Note di carattere ambientale

Qualora il dispositivo non serva più, smaltirlo a regola d'arte (non insieme ai normali rifiuti domestici).



Smaltire il materiale dell'imballaggio nel rispetto dell'ambiente e delle norme vigenti in materia.



Informarsi presso le autorità locali o comunali sulle modalità di smaltimento corrette ed ecologiche del dispositivo. Su richiesta,

Auerswald può farsi carico dello smaltimento. Per avvalersi di tale possibilità spedire il dispositivo a proprie spese ad Auerswald GmbH & Co. KG.

### Dichiarazione di conformità

Auerswald GmbH & Co. KG dichiara: Il presente prodotto soddisfa i requisiti fondamentali in materia di salute, sicurezza e ambiente di tutte le direttive europee applicabili. La dichiarazione di conformità è disponibile sul nostro sito web all'indirizzo: [www.auerswald.de/en/support/produkte](http://www.auerswald.de/en/support/produkte)

Selezionare il prodotto di interesse. La dichiarazione di conformità può essere scaricata alla voce "Documentations".

---

## Condizioni di garanzia

1. In qualità di produttore, Auerswald GmbH & Co. KG, Vor den Grashöfen 1, 38162 Cremlingen, Germany, concede su questo prodotto 24 mesi di garanzia del produttore a partire dalla data di acquisto.
2. Per il consumatore questo significa che: garantiamo la consegna di dispositivi privi di difetti e provvediamo alla loro riparazione o sostituzione gratuita qualora emerga un difetto di produzione per 24 mesi a partire dalla data di consegna. Facciamo a meno della prova che il consumatore deve fornire ai sensi della garanzia di legge a dimostrazione che il difetto era già presente al momento della consegna. Per la riparazione o la fornitura sostitutiva utilizziamo componenti nuovi o come nuovi. I componenti eventualmente rimossi dal dispositivo diventano di nostra proprietà e possono essere distrutti.
3. Oltre alla presente garanzia, al cliente spettano tutti i diritti di legge nei confronti del fornitore risultanti dalla garanzia per vizi della cosa venduta sulla base del contratto di compravendita. A differenza della garanzia del produttore da noi concessa, la garanzia di legge per i vizi della cosa venduta riguarda unicamente le condizioni al momento della vendita (consegna).
4. È possibile usufruire della presente garanzia solo inviando ad Auerswald GmbH & Co. KG o, se vi trovate al di fuori della Germania, al nostro importatore generale o distributore locale, il dispositivo difettoso unitamente a un documento giustificativo dell'acquisto (fattura o scontrino inequivocabili). Allegare all'invio anche una descrizione dettagliata del difetto e riportare il proprio numero di telefono per eventuali richieste di chiarimento. Per evitare che il dispositivo subisca danni durante il trasporto, imballarlo adeguatamente (per es. inserire il dispositivo nell'imballaggio originale, quindi all'interno di un'ulteriore scatola di cartone).
5. La garanzia del produttore non copre i danni causati da gestione inadeguata, errore di azionamento, uso improprio, influenze esterne, fulmini/sovratensioni, modifiche del prodotto e aggiunta di componenti. La garanzia non si applica ai componenti soggetti a usura (per es. batterie, fusibili, batterie ricaricabili, schede di memoria) e non copre eventuali danni causati da tali componenti (per es. in seguito all'esaurirsi delle batterie). La garanzia non copre neppure i danni di trasporto, i danni indiretti e i costi subiti in seguito ai tempi di fuori servizio e di transito.
6. Eventuali riparazioni eseguite da centri non autorizzati provocano la decadenza del diritto alla garanzia.

## Prima messa in funzione

Collega il telefono come illustrato nella figura riportata sotto a "Collegamento".

---

### Prima configurazione del telefono

Requisiti:

- numero di telefono interno configurato nel centralino.

Segui le istruzioni sul telefono.

---

**Nota:** L'MSN è il numero di telefono interno configurato nel centralino.

---

---

### Configurazione tramite COMfortel Set

Requisiti:

- Java Runtime installato (sono disponibili sul nostro sito web)
- COMfortel Set installato (sono disponibili sul nostro sito web)
- Connessione tra il PC e un'interfaccia PC del centralino (vedere la guida del centralino)

1. Avvia il programma.
2. Alla voce **Opzioni > Interfaccia** seleziona l'interfaccia utilizzata (per es. **Rete IP** nel caso in cui il PC sia connesso con il centralino tramite la rete locale).
3. Clicca su **Apri > Telefono** e seleziona il telefono in oggetto.
4. Immetti il PIN.
5. Esegui le impostazioni desiderate,

6. quindi salva la configurazione nel telefono. Per fare ciò clicca su **File > Salva > Telefono**.

# Nederlands

## Belangrijke informatie

---

### Veiligheidsinstructies



**Waarschuwing:** Verkeerde omgang met het apparaat kan levensgevaarlijke elektrische schokken tot gevolg hebben en het apparaat beschadigen.

- Lees de bij het apparaat behorende handleidingen door en bewaar deze.
- Sluit de aansluitkabel van het apparaat alleen aan op de daarvoor bedoelde en deskundig geïnstalleerde contactdozen
- Gebruik uitsluitend originele toebehoren en originele reservedelen.



**Waarschuwing:** Onvolledige of verkeerde configuratie kan gevaar voor personen tot gevolg hebben, bijvoorbeeld doordat noodoproepen niet kunnen worden uitgevoerd.

- De configuratie van het apparaat geschiedt via de telefoon of via de software COMfortel-set. De bijbehorende hulp is beschikbaar in de Engelse of de Duitse taal. Wanneer u niet bekend bent met deze talen en de gebruikte vaktermen, schakel dan een vaktechnicus in die deze wel beheerst.



**Waarschuwing:** Vloeistof dat de behuizing binnendringt kan levensgevaarlijke elektrische schokken tot gevolg hebben en het apparaat beschadigen.

- Gebruik de telefoon alleen in gesloten, droge ruimten.
- Reinig het apparaat alleen met een licht vochtige doek of een antistatische doek.



**Waarschuwing:** Beschadigde aansluitkabels en beschadigingen aan de behuizing en aan het apparaat zelf, kunnen levensgevaarlijke elektrische schokken tot gevolg hebben.

- Neem een beschadigd apparaat nooit in bedrijf.



**Waarschuwing:** Overspanningen, zoals bij onweer kunnen optreden, kunnen levensgevaarlijke elektrische schokken tot gevolg hebben of het apparaat beschadigen of kapot maken.

- Raak het apparaat niet aan tijdens een onweersbui.
- Laat door een elektrotechnicus alle kabels binnen het gebouw installeren.



**Waarschuwing:** Ongeschikte headset, externe luidsprekers of koptelefoons kunnen tot gehoorschade leiden of de spraakverbinding storen.

- Neem de technische gegevens voor het aansluiten van een headset in acht.



**Waarschuwing:** Het zwakke magnetische veld in de koptelefoon kan objecten als naalden en paperclips aantrekken. Deze objecten kunnen letsel veroorzaken.

- Leg de koptelefoon niet in de buurt van dergelijke objecten neer.



**Waarschuwing:** Verstikkingsgevaar. Het apparaat bevat kleine onderdelen die door kleine kinderen kunnen worden ingeslikt.

- Houd het apparaat buiten bereik van kleine kinderen

**Belangrijk:** Het apparaat is niet bedoeld, en mag daarom niet worden gebruikt, voor life-support systemen en/of toepassingen binnen nucleaire inrichtingen. Voor gebruik van het apparaat in dergelijke toepassingen moet verplicht een op het individuele geval afgestemde schriftelijke toestemming/verklaring van de fabrikant vooraf worden afgegeven.

Niet correct gebruik kan bijvoorbeeld functiebeperkingen of storingen, onherstelbare schade aan het apparaat of, in het ergste geval, gevaar voor personen tot gevolg hebben.

Wanneer u betreffende het correcte gebruik, ook na het lezen van het volgende hoofdstuk, nog twijfelt, neem dan contact op met uw dealer.

- Lees de bij het apparaat behorende handleidingen door en bewaar deze voor later gebruik.
- Voor het gebruik van bepaalde functies is een vrijeschakeling bij de netbeheerder, een firmware-update en/of een configuratie via de COMfortel Set vereist.

---

## Correct gebruik

Systeemtelefoon voor aansluiting op de interne  $S_0$ - of  $U_{P0}$ -poort van een telefooncentrale van Auerswald/FONtevo (zie technische gegevens). De verbinding is niet bedoeld voor aansluiting op een telefooncentrale van een andere fabrikant of op de externe  $S_0$ -aansluiting van een netbeheerder. De bedrade telefoon is bedoeld om in gesloten, droge ruimten te worden gebruikt.

---

## Technische gegevens

Bedrijfsspanning	Voeding via interne $S_0$ - of $U_{P0}$ -poort uit de telefooncentrale
Opgenomen vermogen	Min. 1,1 W, max. 2,0 W
Systeemaansluiting	Interne $S_0$ - of $U_{P0}$ -poort van de telefooncentrale: COMcompact 3000 analog/ISDN/VoIP, COMcompact 2206 USB, COMcompact 4410 USB, COMcompact 5010 VoIP, COMcompact 5020 VoIP, COMcompact 4000, COMcompact 5000/R, COMcompact 5200/R, COMcompact 5500R, COMmander 6000/R/RX. COMmander Basic 2/19", COMmander Business/19"
Weergave	14 LEDs, waarvan 10 meerkleurig, FSTN-monochroomdisplay, 128 x 64 pixels, achtergrondverlichting

Bedieningselementen	Toetsenblok, 13 vaste functietoetsen, besturingspaneel, 10 programmeerbare functietoetsen met LED (met elk een functie die op een niveau toewijsbaar is)
Hoorn	Wideband audio, elektretmicrofoon, dynamische luidspreker handset, compatibel met gehoorapparaten
Telefoonhaak	Magnetisch schakelcontact
Behuizing	Kunststof, zwart
Afmetingen	223 mm x 148/158/168 mm x 185 mm (B x H x D)
Gewicht	Ca. 920 g
Temperatuur	Bedrijf: 0 tot 40 °C, opslag: - 30 tot + 70 °C, niet condenserend
Veiligheid	CE

### Technische gegevens voor het aansluiten van een analoge headset

Enkel alternatief voor koptelefoon bij bus koptelefoon mogelijk. Eventueel is een adapter nodig (bijv. voor de COMfortel Headset).

Stroomverbruik microfoon	Max. 0,5 mA
Gevoeligheid microfoon	- 45 dB
Impedantie luidspreker	150 Ohm
Gevoeligheid luidspreker bij 1 kHz	19,5 +/- 3 dBPa/V
Grens geluidsniveau	24 dBPa

### Milieuvoorschriften

Wanneer het apparaat eens is uitgediend, let dan op een correcte afvoer (niet in het normale huisvuil).



Voer het verpakkingsmateriaal correct af om het milieu te sparen.



Informeer bij uw lokale autoriteiten naar de mogelijkheden voor het milieuvriendelijk afvoeren van uw apparaat. Wanneer u wilt, dat wij het apparaat voor u afvoeren, stuur het apparaat dan voor uw eigen rekening naar Auerswald GmbH & Co. KG.

### Conformiteitsverklaring

Auerswald GmbH & Co. KG verklaart: Dit product is in overeenstemming met de fundamentele gezondheids-, veiligheids- en milieu-eisen van alle relevante Europese richtlijnen. De verklaring van overeenstemming kunt u vinden op: [www.auerswald.de/en/support/produkte](http://www.auerswald.de/en/support/produkte)

Selecteer hier het betreffende product. Onder "Documentations" kunt u de verklaring van overeenstemming dan downloaden.

---

## Garantievoorwaarden

1. Auerswald GmbH & Co. KG, Vor den Grashöfen 1, 38162 Cremlingen, Germany, verleent als fabrikant op dit product 24 maanden fabrieksgarantie vanaf de koopdatum.
2. Dit betekent voor u als gebruiker: Wij garanderen, dat onze apparaten bij de overdracht foutloos functioneren en zorgen tot 24 maanden vanaf deze datum voor een kostenloze reparatie of wij leveren kosteloos een vervangen, indien een fabricagefout optreedt en zien af van het door u als gebruiker aan te voeren bewijs als bij de wettelijke garantie, dat deze fout op het tijdstip van overdracht al aanwezig was. Bij de reparatie of de levering van vervangende onderdelen gebruiken wij nieuwe of gelijkwaardige onderdelen. Het apparaat en eventueel uitgenomen onderdelen gaan over in ons eigendom en mogen worden vernietigd.
3. Naast deze garantie heeft de klant in volledige omvang het wettelijke recht op garantie op basis van het koopverdrag ten opzichte van de leverancier. De wettelijke garantie betreft echter in tegenstelling tot onze fabrieksgarantie alleen de kwaliteit op het tijdstip van verkoop (overdracht).
4. U kunt alleen aanspraak maken op deze garantie, wanneer u het defecte apparaat met een eenduidig koopbewijs (factuur of kassabon) op uw kosten aan Auerswald GmbH & Co. KG verzendt of, buiten Duitsland, aan onze importeur of distributeur ter plaatse. Voeg aan deze zending een uitgebreide foutbeschrijving toe en vermeld voor eventuele vragen ook uw telefoonnummer. Zorg voor geschikte transportverpakking om transportschade te voorkomen (bijvoorbeeld originele verpakking met een omdoos).
5. Uitgesloten van de fabrieksgarantie is schade, die ontstaat door verkeerde behandeling, bedieningsfouten, misbruik, externe invloeden, blikseminslag/overspanning, veranderingen van het product en aangebouwde componenten. Bovendien zijn de slijtende delen uitgesloten (bijv. batterijen, zekeringen, accu's, geheugenkaarten), en door de slijtende delen veroorzaakte schade (bijv. door het uitlopen van batterijen). Ook transportschade, gevolgschade en kosten voor uitvaltijden zijn uitgesloten.
6. De garantie komt te vervallen wanneer reparaties door niet geautoriseerde instanties worden uitgevoerd.

## Eerste ingebruikname

Sluit de telefoon aan zoals op de afbeelding onder aansluiting wordt weergegeven.

---

## Eerste configuratie via de telefoon

Voorwaarden:

- Bij de telefooncentrale ingesteld intern telefoonnummer

Volg de instructies in de telefoon.

---

**Opmerking:** De MSN is het in de telefooncentrale ingestelde interne telefoonnummer.

---

---

## Configuratie via COMfortel Set

Voorwaarden:

- Java Runtime geïnstalleerd (deze vindt u op onze internetpagina)
- COMfortel Set geïnstalleerd (deze vindt u op onze internetpagina)
- Bestaande verbinding van de PC met een PC-interface van de telefooncentrale (zie handleiding van de telefooncentrale)

1. Start het programma.
2. Selecteer onder **Options > Interface** de door u gebruikte interface (bijv. **IP network** als de PC middels het lokale netwerk met de telefooncentrale is verbonden).
3. Klik op **Open > Telephone** en selecteer de betreffende telefoon.

4. Voer de PIN in.
5. Voer de gewenste instellingen door.
6. Sla hierna de configuratie op in de telefoon. Klik hiervoor achtereenvolgens op **File** > **Save** > **Telephone**.



# Polski

## Ważne informacje

---

### Wskazówki bezpieczeństwa



**Ostrzeżenie:** Nieprawidłowe używanie urządzenia może doprowadzić do groźnego dla życia porażenia prądem, a także uszkodzić lub zniszczyć urządzenie.

- Należy przeczytać załączone instrukcje obsługi urządzenia i zachować je.
- Przewody urządzenia należy podłączać wyłącznie do odpowiednich i fachowo zainstalowanych gniazd przyłączeniowych
- Należy używać wyłącznie oryginalnych akcesoriów i części zamiennych.



**Ostrzeżenie:** Niekompletna lub błędna konfiguracja może prowadzić do zagrożenia życia, np. poprzez brak możliwości wykonania połączenia w celu wezwania pomocy.

- Konfiguracja produktu odbywa się przez telefon lub przez oprogramowanie COMfortel Set. Właściwa pomoc jest dostępna w języku angielskim lub niemieckim. Jeżeli te języki i zastosowane fachowe pojęcia sprawiają trudność, to należy powierzyć te czynności osobie z odpowiednimi kwalifikacjami językowymi i fachowymi.



**Ostrzeżenie:** Zalanie obudowy płynem może doprowadzić do śmiertelnego porażenia prądem, a także uszkodzić lub zniszczyć urządzenie.

- Telefonu należy używać wyłącznie w zamkniętych i suchych pomieszczeniach.
- Urządzenie należy czyścić wyłącznie za pomocą lekko zwilżonej szmatki lub ściereczki antystatycznej.



**Ostrzeżenie:** Uszkodzenia przewodów, obudowy lub urządzenia mogą prowadzić do śmiertelnego porażenia prądem.

- Nie należy włączać uszkodzonego urządzenia.



**Ostrzeżenie:** Występujące podczas burzy przepięcia mogą doprowadzić do śmiertelnego porażenia prądem, a także uszkodzić lub zniszczyć urządzenie.

- W czasie burzy nie należy dotykać urządzenia.
- Rozmieszczaniem przewodów w budynku powinien zająć się wykwalifikowany elektryk.



**Ostrzeżenie:** Nieodpowiednie zestawy słuchawkowe, zewnętrzne głośniki lub słuchawki mogą prowadzić do uszkodzenia słuchu lub powodować zakłócenia połączeń głosowych.

- Przestrzegać danych technicznych dotyczących podłączania zestawu słuchawkowego.



**Ostrzeżenie:** Przedmioty przyciągnięte przez słabe pole magnetyczne w słuchawce, takie jak igły lub spinacze biurowe, mogą spowodować skaleczenia.

- Nie należy umieszczać słuchawki w pobliżu takich przedmiotów.



**Ostrzeżenie:** Niebezpieczeństwo uduszenia. W urządzeniu znajdują się drobne elementy, które dzieci mogą połknąć.

- Urządzenie należy przechowywać poza zasięgiem małych dzieci

**Ważne:** Niniejsze urządzenie nie jest przeznaczone do użytku w systemach podtrzymywania życia i/lub w urządzeniach nuklearnych i nie powinno być w nich stosowane. Aby niniejsze urządzenie mogło być wykorzystywane do tego typu zastosowań, dla każdego pojedynczego przypadku bezwzględnie wymagana jest uprzednia pisemna zgoda lub oświadczenie ze strony producenta.

Użytkowanie niezgodne z przeznaczeniem może prowadzić np. do ograniczenia funkcjonalności, zakłóceń w działaniu urządzenia, jego zniszczenia, a w skrajnym wypadku do zagrożenia życia.

Jeżeli po przeczytaniu poniższego rozdziału nadal zachodzą wątpliwości co do zgodnego z przeznaczeniem użytkowania urządzenia, należy zasięgnąć informacji u sprzedawcy.

- Należy przeczytać załączone instrukcje obsługi urządzenia i zachować je do późniejszego użytku.
- Do korzystania z niektórych funkcji konieczna jest ich aktywacja u operatora sieci, aktualizacja oprogramowania sprzętowego i/lub konfiguracja przez COMfortel Set.

---

## Użytkowanie zgodne z przeznaczeniem

Telefon systemowy do podłączania do wewnętrznego portu  $S_0$  lub  $U_{P0}$  centrali telefonicznej firmy Auerswald/FONtevo (patrz Dane techniczne). Podłączenie do centrali telefonicznej innego producenta lub do zewnętrznego przyłącza  $S_0$  operatora sieci nie jest przewidziane. Jest to telefon przewodowy, przeznaczony do użytku w zamkniętych i suchych pomieszczeniach.

---

## Dane techniczne

Napięcie robocze	Zasilanie przez wewnętrzny port $S_0$ lub $U_{P0}$ z centrali telefonicznej
Pobór mocy	Min. 1,1 W, maks. 2,0 W
Przyłącze systemowe	Wewnętrzny port $S_0$ lub $U_{P0}$ central telefonicznych: COMpact 3000 analog/ISDN/VoIP, COMpact 2206 USB, COMpact 4410 USB, COMpact 5010 VoIP, COMpact 5020 VoIP, COMpact 4000, COMpact 5000/R, COMpact 5200/R, COMpact 5500R, COMmander 6000/R/RX. COMmander Basic 2/19", COMmander Business/19"

Wskaźniki	14 diod LED, w tym 10 wielokolorowych, wyświetlacz monochromatyczny FSTN, 128 x 64 piksele, podświetlenie tła
Elementy obsługi	Klawiatura przyciskowa, 13 przycisków stałych, podkładka kierunkowa, 10 programowalnych przycisków funkcji z diodą LED (możliwość przypisania jednej funkcji na jednym poziomie)
Słuchawka	Dźwięk szerokopasmowy, mikrofon elektretowy, dynamiczny głośnik słuchawki, kompatybilny z aparatami słuchowymi
Przełącznik aparatowy	Magnetyczny zestyk przełączny
Obudowa	Tworzywo sztuczne, czarny
Wymiary	223 mm x 148/158/168 mm x 185 mm (szer. x wys. x gł.)
Waga	Ok. 920 g
Temperatura	Eksploatacja: od 0 do 40 °C, przechowywanie: od -30 do +70 °C, bez kondensacji
Zabezpieczenia	CE

### Dane techniczne przyłącza zestawu słuchawkowego analog

Tylko alternatywna możliwość do słuchawki w gnieździe słuchawki. Może być potrzebny adapter (np. dla COMfortel Headset).

Pobór prądu przez mikrofon	Maks. 0,5 mA
Czułość mikrofonu	- 45 dB
Impedancja głośników	150 omów
Czułość głośników przy 1 kHz	19,5 +/- 3 dBPa/V
Granica poziomu dźwięku	24 dBPa

### Informacje dotyczące ochrony środowiska

Po zakończeniu użytkowania urządzenia należy zadbać o jego odpowiednią utylizację (oddzielnie od odpadów komunalnych).



Materiał opakowaniowy należy zutylizować w sposób zgodny z zasadami ochrony środowiska.



W administracji miasta lub gminy należy zasięgnąć informacji o możliwości prawidłowej utylizacji urządzenia, zgodnej z zasadami ochrony środowiska. Urządzenie, które ma zostać zutylizowane, można również przesłać na swój koszt do firmy Auerswald GmbH & Co. KG.

---

## Deklaracja zgodności

Auerswald GmbH & Co. KG oświadcza: Niniejszy produkt spełnia podstawowe wymagania dotyczące zdrowia, bezpieczeństwa i ochrony środowiska naturalnego określone we wszystkich właściwych dyrektywach europejskich.

Deklarację zgodności można znaleźć na stronie internetowej:

[www.auerswald.de/en/support/produkte](http://www.auerswald.de/en/support/produkte)

Proszę wybrać tam produkt. Następnie można pobrać deklarację zgodności w „Documentations”.

---

## Warunki gwarancji

1. Spółka Auerswald GmbH & Co. KG, Vor den Grashöfen 1, 38162 Cremlingen, Germany, przyznaje jako producent 24-miesięczną gwarancję producenta na ten produkt, która rozpoczyna się w dniu zakupu.
2. Dla Państwa jako konsumenta oznacza to, co następuje: Gwarantujemy, że nasze urządzenia w momencie ich przekazania nie posiadają usterek, i zapewniamy bezpłatną naprawę lub darmową wymianę w ciągu 24 miesięcy od tej daty, w przypadku gdy w urządzeniu wykryta zostanie wada fabryczna, i rezygnujemy z obowiązku przedstawienia przez Państwa jako konsumenta dowodu, że dana usterka występowała już w momencie przekazania produktu, co jest wymagane w przypadku ustawowej rękojmi. W przypadku naprawy lub wymiany używamy nowych części lub części posiadających wartość nowego produktu. Ewentualne części wymontowane z urządzenia stają się naszą własnością i mogą zostać zutylizowane.
3. Oprócz niniejszej gwarancji klientowi w pełnym zakresie przysługują ustawowe prawa z tytułu rękojmi przyznawanej na mocy umowy sprzedaży zawartej z dostawcą. W przeciwieństwie do naszej gwarancji producenta ustawowa rękojmia dotyczy tylko jakości w momencie sprzedaży (przekazania).
4. Z niniejszej gwarancji mogą Państwo skorzystać wyłącznie po przesłaniu wadliwego urządzenia na własny koszt wraz z jednoznacznym dowodem zakupu (rachunkiem lub paragonem) do firmy Auerswald GmbH & Co. KG bądź do naszego importera generalnego lub miejscowego dystrybutora, w przypadku klientów spoza Niemiec. Prosimy także o dołączenie do wysyłki szczegółowego opisu uszkodzenia i o podanie numeru telefonu do kontaktu w przypadku ewentualnych pytań. Aby uniknąć uszkodzeń przez takie części, należy zadbać o odpowiednie opakowanie na czas transportu (np. opakowanie oryginalne i karton zewnętrzny).
5. Gwarancją producenta nie są objęte szkody, które powstają na skutek niewłaściwego użytkowania, błędu operatora, nadużywania, czynników zewnętrznych, uderzenia pioruna/przebiecia, modyfikacji produktu lub jego rozbudowy. Ponadto gwarancja nie obejmuje części ulegających zużyciu (np. baterii, bezpieczników, akumulatorów, kart pamięci), a także uszkodzeń spowodowanych przez takie części (np. w wyniku wyczerpania się baterii). Ponadto z zakresu gwarancji wyłączone są szkody powstałe w transporcie, szkody pośrednie, koszty powstałe w trakcie awarii i transportu.
6. Gwarancja wygasa w przypadku wykonania napraw w nieautoryzowanym serwisie.

## Pierwsze uruchomienie

Telefon należy podłączyć w sposób pokazany na ilustracji w punkcie Podłączanie.

---

## Pierwsza konfiguracja przez telefon

Wymagania:

- wewnętrzny numer telefonu skonfigurowany w centrali telefonicznej

Postępuj zgodnie z instrukcjami w telefonie.

---

**Wskazówka:** MSN to wewnętrzny numer telefonu skonfigurowany w centrali telefonicznej.

---

---

## Konfiguracja przez COMfortel Set

Wymagania:

- zainstalowane oprogramowanie Java Runtime (dostępny na naszej stronie internetowej)
- zainstalowane oprogramowanie COMfortel Set (dostępny na naszej stronie internetowej)
- nawiązane połączenie między komputerem a interfejsem komputera w centrali telefonicznej (patrz instrukcja centrali telefonicznej)

1. Uruchom program.
2. W menu **Options > Interface** wybierz używany przez siebie interfejs (np. **IP network** w przypadku połączenia komputera z centralą telefoniczną przez sieć lokalną).
3. Kliknij **Open > Telephone** i wybierz właściwy telefon.
4. Podaj kod PIN.
5. Wybierz preferowane ustawienia.
6. Następnie zapisz konfigurację w telefonie. Kliknij po kolei **File > Save > Telephone**.